

## WALL COSTS EXPLANATION

This section is not a part of the Segregated Cost Method. It is presented here to provide a detailed cost buildup where it is felt that a specific wall being valued varies significantly from the typical walls on the Segregated Cost pages or where such detail is demanded. The costs in this section differ from the Segregated Costs of Sections SEG 1 through SEG 6 in that each individual wall component is priced separately, while the segregated wall costs include, in the one cost, an allowance for each of the following components:

1. BASIC WALL
2. EXTERIOR COVER
3. INTERIOR FACING
4. FINISH (exterior and interior)
5. OPENINGS (windows and doors)

Some walls will be made up of many component parts, while others may have only two or three. The examples, on the next page, illustrate the method to use in building up a total wall cost. The costs are given per square foot of actual area of the various components except as otherwise stated. Thus, if any component, such as windows or doors, does not occupy the total wall area, the unit price should be multiplied by the proportion of the area of the component to the total wall area. Costs include full allowance for the general contractor's overhead and profit. However, the architect's fee must be added.

Wall costs are the sum of the costs of all their parts. Basic wall costs for wood frame, brick, stone, etc., and for wall coverings such as face brick, wood shingles, and many others, are priced for the entire wall area regardless of the number and size of openings. To these costs are added the unit costs for windows and doors. These unit costs are applied in the proportion the windows and doors bear to the entire wall area.

This principle is demonstrated in the examples. In Example 1, for instance, where 10% of the total wall area consists of windows, 10% of the unit cost for windows is applied to the total wall area. There are exceptions to the above rule. For instance, in the building elevation illustrated in Figure A, the basic wall cost would be applied only to the lower half of the wall which is shown and the window costs applied to the upper half.

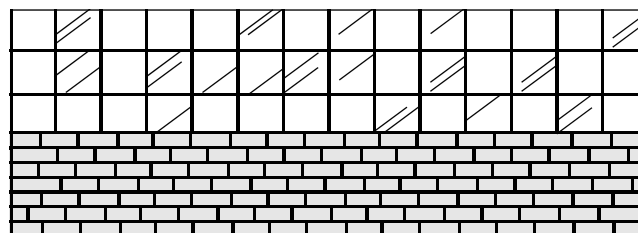


FIGURE A

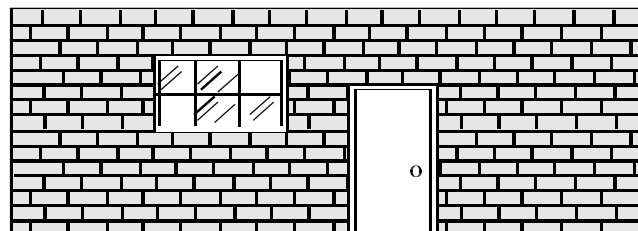


FIGURE B

Between this type of wall and the completely blank wall, there is a complete chain of gradations, which leaves much to the experience and judgment of the assessor.

Figure B shows the front elevation of a typical industrial building, where the basic wall costs are applied to the entire wall and the cost of the windows and door is applied to the actual area of the openings.

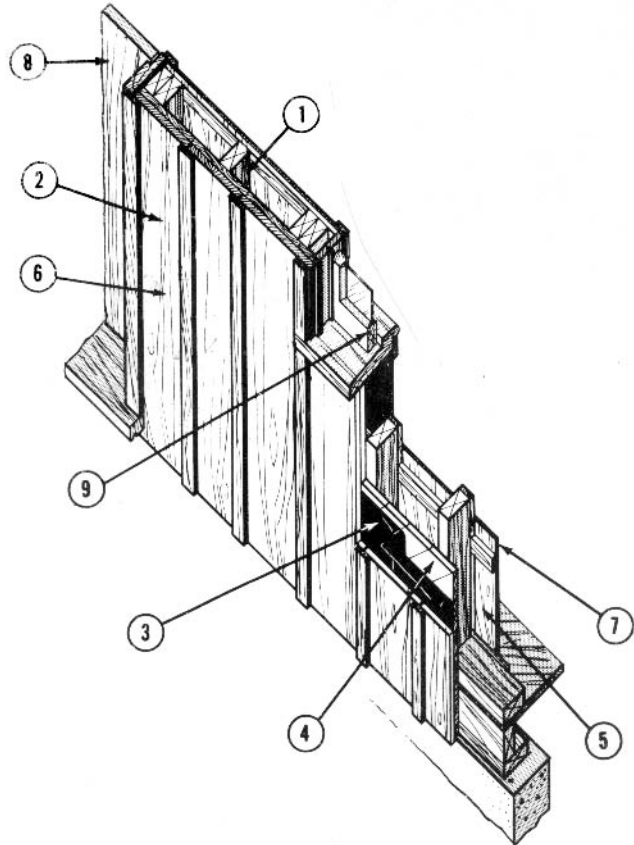
This so-called doubling of areas for computation, as in Figure B, provides an allowance for the added cost of building the wall around openings.

This section can also be used to test the proper rating choice in the Segregated Cost section. For example, the assessor may encounter a wall which is not typical either in the number of openings, type of interior finish, or some other feature. He may profitably build up the cost of that particular wall in detail and not only use the cost for that particular appraisal, but also could use it as a guide in choosing the proper rating number in the Segregated Costs when a similar wall is encountered in the future.

It is sometimes desirable to build up the cost of interior partitions instead of pricing them on a square foot basis. Some of the component parts for interior construction may be priced from this section; however, interior doors and built-in cabinets should be priced from Section UIP 2.

## WALL COSTS

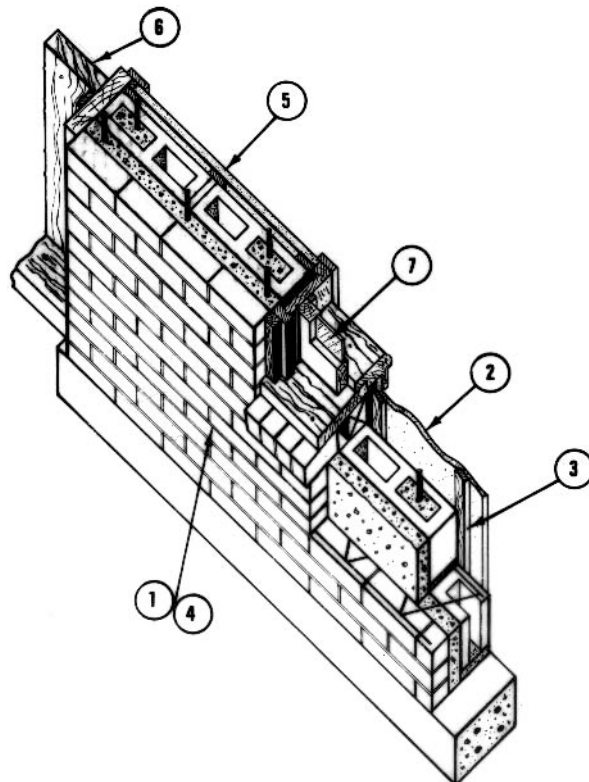
	<i>Cost per Square Foot of Total Wall Area</i>
<b>BASIC WALL</b>	
1. 2 x 4, 16 in. o.c. ....	\$1.48
<b>EXTERIOR COVER</b>	
2. Boards and batten, high-quality .....	4.60
3. Paper, building .....	.21
4. Sheathing, wood, solid .....	1.45
<b>INTERIOR FACING</b>	
5. Plywood paneling, softwood .....	2.13
<b>FINISH</b>	
<b>EXTERIOR</b>	
6. Stain, 2 coats .....	.68
<b>INTERIOR</b>	
7. Natural wood finish, 2 coats .....	.86
<b>OPENINGS</b>	
<b>DOORS</b>	
8. Wood, exterior, flush, solid core (5% of total wall area) .05 x \$20.00 = .....	1.00
9. Sliding glass, metal, double glazed, (5% of total wall area, not shown) .05 x \$24.00 .....	1.20
<b>WINDOWS</b>	
10. Wood, double hung (10% of total wall area) .10 x \$15.45 = .....	1.55
<b>TOTAL COST PER SQ. FT. OF WALL AREA</b>	<b>\$15.16</b>



**NOTE:** Costs are the midpoint averages between the minimum and maximum costs listed. Insulation is an additive.

### EXAMPLE 1

	<i>Cost per Square Foot of Total Wall Area</i>
<b>BASIC WALL</b>	
1. Common brick, 10" grouted, reinforced, block backup .....	\$16.15
<b>INTERIOR FACING</b>	
2. Gypsum board, 1/2" .....	1.18
3. Furring, wood .....	.98
<b>FINISH</b>	
<b>EXTERIOR</b>	
4. Waterproofing, 2 coats .....	.59
<b>INTERIOR</b>	
5. Paint, flat wall, 2 coats .....	.62
<b>OPENINGS</b>	
<b>DOORS</b>	
6. Wood, exterior, flat panel (5% of total wall area) .05 x \$20.10 = .....	1.01
<b>WINDOWS</b>	
7. Wood, double hung (10% of total wall area) .10 x \$15.45 = .....	1.55
<b>TOTAL COST PER SQ. FT. OF WALL AREA</b>	<b>\$22.08</b>



**NOTE:** Costs are the midpoint averages between the minimum and maximum costs listed.

### EXAMPLE 2

# WALL COSTS

## COSTS PER SQUARE FOOT OF WALL AREA

### MASONRY CONSTRUCTION

	COST RANGE
Adobe, grouted, reinforced, 9" – 11" . . . . .	\$13.70 – \$17.85
post and girder construction, 8" . . . . .	11.35 – 14.45
Brick, common, 8" . . . . .	13.65 – 19.60
12" . . . . .	18.00 – 25.65
8", block backup . . . . .	12.00 – 16.95
12", block backup . . . . .	13.55 – 19.70
16", block backup . . . . .	15.05 – 22.60
9" – 10" cavity . . . . .	14.70 – 20.05
9" – 10" cavity, block backup . . . . .	12.50 – 17.55
9" – 10" grouted, reinforced . . . . .	15.25 – 22.90
9" – 10" grouted, reinforced, block backup . . . . .	13.05 – 19.25
12" – 14" grouted, reinforced, block backup . . . . .	14.55 – 22.00
8", tile backup . . . . .	13.20 – 19.15
12", tile backup . . . . .	14.10 – 21.10
6", SCR or hollow brick . . . . .	9.40 – 13.30
8" . . . . .	10.80 – 14.70
For brick pilasters, add to wall cost . . . . .	1.25 – 1.60
For each 4" additional thickness of common brick, add . . . . .	3.85 – 5.60
For each tier or wythe of face brick in lieu of common, add . . . . .	1.95 – 3.00
For each wythe of oversized brick in lieu of common, deduct . . . . .	.90 – 2.70
Concrete, formed, reinforced, 6" . . . . .	10.00 – 16.75
8" . . . . .	11.20 – 18.15
12" . . . . .	13.20 – 21.10
add for stay-in-place forming . . . . .	.40 – 1.70
precast panels, 2" – 3", gray . . . . .	7.85 – 12.20
4" – 5", gray . . . . .	8.75 – 13.25
6" – 7", gray . . . . .	9.85 – 14.70
add for white . . . . .	4.20 – 6.00
add for ribbed or fluted openings . . . . .	6.00 – 12.00
add for exposed aggregate . . . . .	2.70 – 5.45
add for insulated sandwich . . . . .	1.20 – 2.30
deduct 10% for tees or double tees . . . . .	
tilt-up panels, 5" – 6", gray . . . . .	7.30 – 9.05
add for each 2" of additional thickness . . . . .	.65 – .90
add for textured finishes . . . . .	.85 – 3.60
Concrete block, reinforced, 6" . . . . .	5.85 – 8.15
8" . . . . .	6.30 – 9.20
12" . . . . .	8.00 – 12.10
unreinforced, 8" . . . . .	5.90 – 7.40
12" . . . . .	7.40 – 10.05
add for slumpstone, fluted, split or ground face . . . . .	.90 – 3.25
For concrete or block pilasters, add to wall cost . . . . .	.90 – 1.45
For concrete or block bond beams, add to wall cost . . . . .	1.00 – 1.55
Glass block, white or aqua . . . . .	27.10 – 39.35
colors and solar reflective . . . . .	39.35 – 53.25
Gunite reinforced, each 1" of thickness . . . . .	2.75 – 4.00
Gypsum block, 4" . . . . .	5.40 – 7.00
6" . . . . .	5.80 – 7.45
Tile, clay, 4" . . . . .	6.70 – 8.05
6" . . . . .	7.70 – 10.10
8" . . . . .	8.65 – 11.60
Add for tile or block glazing, each side . . . . .	4.40 – 6.60
Stone masonry – see stonework tables at end of Section UIP 6, Page 7.	

### WALL INSULATION

		COST RANGE
Aluminum foil, reflective,		
single-ply . . . . .	R-5 – R-9	\$ .24 – \$ .30
two-ply . . . . .	R-13 – R-14	.35 – .43
three-ply . . . . .	R-16 – R-17	.47 – .57
four-ply . . . . .	R-18 – R-20	.55 – .69
five-ply . . . . .	R-20 – R-22	.66 – .83
Batts or roll, fiberglass,		
1-1/2" . . . . .	R-4 – R-6	.34 – .49
2-1/2" . . . . .	R-7 – R-9	.43 – .61
3-1/2" . . . . .	R-11 – R-13	.50 – .66
6" . . . . .	R-19 – R-22	.69 – .94
add for vinyl-faced high density or mineral fiber . . . . .		.21 – .29
Loose fill, expanded mica,		
in cavity wall, 1" . . . . .	R-2 – R-3	.31 – .42
2" . . . . .	R-4 – R-5	.55 – .79
3" . . . . .	R-6 – R-8	.80 – 1.09
4" . . . . .	R-8 – R-10	1.02 – 1.42
in block wall, 4" . . . . .	R-.65 – R-.75	.29 – .51
6" . . . . .	R-1.25 – R-1.35	.52 – .84
8" . . . . .	R-2 – R-3	.76 – 1.31
12" . . . . .	R-4 – R-5	1.36 – 2.46
Rigid board, cork, 1/2" . . . . .	R-1 – R-2	1.02 – 1.57
1" . . . . .	R-3 – R-4	1.57 – 2.79
2" . . . . .	R-7 – R-8	2.50 – 4.08
fiberboard, 1" . . . . .	R-2 – R-3	.77 – 1.04
2" . . . . .	R-5 – R-6	1.21 – 1.57
fiberglass, 1" . . . . .	R-3 – R-4	.95 – 1.43
2" . . . . .	R-7 – R-8	1.41 – 2.00
foamglass, 1" . . . . .	R-2 – R-3	2.21 – 2.65
2" . . . . .	R-4 – R-6	2.79 – 3.51
perlite board, 1" . . . . .	R-2 – R-3	.87 – 1.18
2" . . . . .	R-4 – R-6	1.28 – 1.79
polystyrene, extruded, 1" . . . . .	R-5 – R-6	.87 – 1.21
2" . . . . .	R-10 – R-12	1.31 – 1.72
2-1/2" . . . . .	R-12 – R-15	1.54 – 2.00
3" . . . . .	R-15 – R-18	1.71 – 2.29
beadboard, 1" . . . . .	R-3 – R-4	.67 – .92
2" . . . . .	R-6 – R-8	.96 – 1.36
3" . . . . .	R-9 – R-12	1.20 – 1.63
4" . . . . .	R-12 – R-16	1.41 – 1.79
polyurethane, 1/2" . . . . .	R-3 – R-4	.94 – 1.10
1" . . . . .	R-7 – R-8	1.14 – 1.43
1-1/2" . . . . .	R-10 – R-12	1.28 – 1.93
2" . . . . .	R-14 – R-16	1.49 – 2.14

Sprayed or foamed-in-place (urethane, styrene, etc.) use appropriate R-value rating above and add 100% to the cost. For wet-sprayed cellulose, add 50%.

### AIR AND VAPOR BARRIER

Aluminum foil, paperbacked . . . . .	\$ .24 – \$ .30
Air infiltration fiberwrap . . . . .	.23 – .30
Building paper . . . . .	.16 – .25
Polyethylene . . . . .	.14 – .22

For belowgrade application – see waterproofing costs in Section UIP 1.

# WALL COSTS

## COSTS PER SQUARE FOOT OF WALL AREA

### STUD CONSTRUCTION

#### WOOD

COST RANGE		COST RANGE	
2" x 3" – 12" o.c.	\$1.40 – \$1.55	2" x 8" – 12" o.c.	\$3.25 – \$3.80
2" x 3" – 16" o.c.	1.10 – 1.25	2" x 8" – 16" o.c.	2.45 – 2.90
2" x 3" – 24" o.c.	.70 – 1.05	2" x 8" – 24" o.c.	1.55 – 1.85
2" x 4" – 12" o.c.	1.75 – 1.95	2" x 10" – 16" o.c.	2.85 – 3.35
2" x 4" – 16" o.c.	1.25 – 1.70	2" x 10" – 24" o.c.	2.00 – 2.45
2" x 4" – 24" o.c.	.90 – 1.20	2" x 10" – 36" o.c.	1.55 – 1.80
2" x 6" – 12" o.c.	2.20 – 2.70	4" x 4" – 24" o.c.	2.20 – 2.70
2" x 6" – 16" o.c.	1.80 – 2.10	4" x 4" – 36" o.c.	1.75 – 2.10
2" x 6" – 24" o.c.	1.25 – 1.70	4" x 4" – 48" o.c.	1.40 – 1.80

#### METAL

Dimen. o.c.	Light (to 25 gauge)	Medium (to 20 gauge)	Heavy (to 16 gauge)	Extra Heavy (C-Stud)
4"–16"	\$1.40 – \$1.70	\$1.75 – \$2.10	\$2.00 – \$2.45	\$2.30 – \$3.60
4"–24"	1.15 – 1.40	1.45 – 1.75	1.70 – 2.00	1.95 – 2.85
6"–16"	1.60 – 1.90	2.10 – 2.45	2.35 – 2.85	2.70 – 4.00
6"–24"	1.40 – 1.60	1.75 – 2.00	1.95 – 2.35	2.30 – 3.25

### EXTERIOR WALL COVER

	COST RANGE
Aluminum siding, corrugated or crimped, light (.0175" – .024" thick)	\$ 1.70 – \$ 2.50
heavy (.032" – .050" thick)	2.85 – 4.15
residential type, painted	2.60 – 3.65
sandwich panels, insulated, anodized	3.60 – 10.80
add for enameled paint	.25 – .65
add for curved panels	.70 – 2.10
add for wall girts, metal	.65 – 1.75
wood	.35 – .90
Cement fiber (asbestos) shingle or plank 5/32"	1.90 – 2.85
sheet siding, residential type	1.85 – 2.60
corrugated or sheet (transite) 1/4" – 3/8"	2.75 – 3.85
sandwich panels, insulated	8.50 – 14.50
Board and batten, 1" cedar or redwood	2.50 – 4.60
plywood with batts	1.75 – 2.45
Composition siding	1.20 – 1.85
Fiberglass, corrugated or sheet	1.15 – 1.90
sandwich panels	2.15 – 2.45
structural or (FRP) panels	2.35 – 6.35
Hardboard, exterior grade, 3/8" – 1/2", sheet siding	1.55 – 2.35
lap siding or shingles	1.70 – 2.65
Masonry veneer, single wythe, select common brick	6.80 – 11.60
face brick, standard	7.75 – 13.10
split face brick, Roman or Norman	7.15 – 11.85
mortarless brick	7.90 – 12.65
used brick	7.45 – 12.45
adobe	5.80 – 8.85
cast stone, ornamental	16.50 – 27.50
ornamental face concrete block, 4"	6.60 – 11.20
simulated brick veneer or panel, 1/4" – 3/8"	5.50 – 12.38
imitation precast stone	6.00 – 15.05
Pictorial carved artwork, see Section UIP 6, Page 5.	
Natural stone veneers, see under Stonework, Section UIP 6.	

### WALL COVER (Continued)

#### COST RANGE

Plywood, exterior grade, 3/8" – 5/8", plain	\$ 1.45 – \$ 1.90
textured	1.75 – 2.35
fiber overlay	1.80 – 2.55
redwood or select cedar	2.20 – 3.70
exposed aggregates, fine	4.35 – 5.40
medium	5.45 – 7.35
large	6.70 – 9.85
Rustic or log siding, rough	3.60 – 10.25
half round with full corners	9.60 – 13.25
full logs, 6" – 7" diameter	9.00 – 14.25
8"	10.75 – 16.50
9"	11.75 – 18.25
10"	13.00 – 20.00
hand hewn or oversized logs	15.50 – 27.75
Shakes, wood	2.35 – 3.40
Shingles, wood	2.10 – 3.20
wood panels	2.55 – 4.35
Siding, vinyl	2.45 – 3.40
wood, 1/2" – 1" boards	1.75 – 2.60
select cedar or redwood	2.15 – 5.50
Steel, galvanized, corrugated or crimped, light (30 to 26 gauge)	1.25 – 2.25
heavy (24 to 18 gauge)	2.50 – 4.05
residential type, painted	2.45 – 3.25
add for sandwich panels	3.55 – 10.65
add for curved panels	.70 – 2.10
add for enameled paint	.15 – .65
add for porcelain enamel	1.95 – 3.40
add for stainless steel	2.00 – 4.20
add for textured protective cover (Galbestos)	2.50 – 3.85
add for wall girts, metal	.65 – 1.75
wood	.35 – .90
Stucco, on paper and wire mesh, three coats	3.00 – 3.60
on metal lath, three coats	3.05 – 4.05
on masonry, two coats	2.10 – 3.30
Synthetic plaster, on fabric and rigid insulation board, 1"	4.50 – 6.95
for decorative texture or aggregate finish, add	1.20 – 3.95
each inch of insulation over 1", add	.45 – 1.00
on fiber cement board	3.70 – 4.50
add for heavy fiberglass reinforcement	1.35 – 2.45
pictorial artwork, see Section UIP 6, Page 5	
Terra cotta, 2" – 4"	17.25 – 31.25
Tile, ceramic	8.80 – 14.45
Tile, mosaic panels, minimum artwork	12.50 – 26.00
pictorial, excluding name art	19.25 – 48.00
hand-painted	63.50 – 219.75
Vitrolite (structural glass)	14.25 – 25.50
Sheathing, asphalt composition, 1/2"	.85 – 1.10
ballistic shielding fiberglass panels, 1/2" – 5/8"	15.25 – 19.00
1" – 1-1/2"	46.25 – 57.75
fiberboard, 1/2"	.80 – 1.05
gypsum board, water-resistant, 1/2" – 5/8"	1.10 – 1.45
oriented strand-waferboard, 3/8" – 1/2"	1.05 – 1.25
plywood, 3/8" – 1/2"	1.15 – 1.35
5/8" – 3/4"	1.35 – 1.55
for structural shear walls, add	.10 – .15
wood, solid 1" boards	1.40 – 1.85
spaced 1" boards	1.10 – 1.40
stresskin sandwich panels	4.20 – 7.20
add for treated wood	.35 – .65

## WALL COSTS

### COSTS PER SQUARE FOOT OF WALL AREA OR OPENING

#### EXTERIOR FINISH

	COST RANGE
Epoxy or urethane .....	\$1.18 – \$3.51
Masonry paint, prime coat .....	.28 – .47
each additional coat .....	.17 – .30
Silicone waterproofing for masonry, two coats ..	.51 – .66
Stain, on shingles or wood siding, two coats ..	.54 – .82
Structural steel paint, shop coat .....	.22 – .37
prime field coat .....	.23 – .43
each additional coat .....	.23 – .38
Stucco paint, prime coat .....	.35 – .51
each additional coat .....	.22 – .34
textured coat, one heavy coat or acrylic mod./polymer-based .....	.76 – 1.16
sealer coat .....	.16 – .28
Wood siding, prime coat .....	.36 – .51
each additional coat .....	.22 – .30

#### INTERIOR FACING

Chalkboard, hardboard .....	\$ 5.50 – \$ 8.75
slate .....	12.55 – 18.90
vinyl finish .....	9.40 – 12.15
Furring, wood on masonry .....	.70 – 1.25
wood on wood .....	.60 – 1.05
metal .....	1.10 – 1.75
Gypsum board, 1/2", taped .....	1.10 – 1.25
5/8" .....	1.15 – 1.40
add for water-resistant or embossed .....	.10 – .25
Hardboard, plastic finish, patterned .....	1.80 – 3.25
pegboard .....	1.50 – 2.90
tempered, plain .....	1.10 – 1.85
Insulation board, prefinished .....	1.10 – 1.75
Plaster, two coats, on metal lath .....	2.50 – 3.35
on gypsum lath .....	2.45 – 3.00
on masonry .....	2.10 – 2.65
Plaster, three coats, on metal lath .....	3.00 – 3.65
Add for Keene's finish .....	.50 – .80
Plywood paneling, softwood .....	1.50 – 2.75
hardwood .....	2.50 – 5.15
custom panels and trim .....	5.40 – 12.15
polylaminated panels .....	1.85 – 3.55
Tile, acoustical .....	1.25 – 1.95
ceramic or quarry .....	6.30 – 17.70
custom mosaics .....	12.25 – 26.50
hand-painted .....	60.00 – 210.50
metal, enameled .....	5.65 – 7.70
plastic .....	4.35 – 5.80
Wood paneling, 1/2" – 1" boards, softwood .....	2.90 – 4.45
hardwood .....	4.45 – 9.05
custom plank decorative .....	8.60 – 17.80
3/8" cedar closet lining .....	4.10 – 5.40
Masonry veneers – use exterior costs plus 5% to 10%.	

#### INTERIOR FINISH

	COST RANGE
Canvas, cloth, and other specialties .....	\$2.10 – \$ 4.70
Copper and wood veneer sheets .....	5.90 – 7.85
Gypsum impregnated jute fabric .....	1.45 – 2.45
Laminates, plastic, standard grades .....	3.25 – 4.60
custom grades, leather, stone, wood .....	5.70 – 12.85
Natural wood finish .....	.69 – 1.03
Paint, prime coat or sealer .....	.25 – .47
each additional coat .....	.17 – .34
add for enamel, per coat of enamel .....	.08 – .18
Textured finish, sprayed on .....	.22 – .34
Vinyl wall covering .....	1.25 – 3.10
Wallpaper, standard grades .....	.94 – 1.97
custom grades .....	2.15 – 4.80
hand-painted, embroidered .....	4.20 – 14.45
mural and aluminum specialties .....	2.45 – 5.40
removal .....	.23 – .46
Zolotone, primer and one coat .....	.80 – 1.70

#### DOORS

##### COMMERCIAL AND INDUSTRIAL

(Cost per square foot of door area or opening.)

All costs include hardware and installation.	
Fire doors, hollow metal, 1-3/4" .....	\$ 35.75 – \$ 54.00
kalamein, 1-3/4" .....	31.50 – 43.00
kalamein, 2-1/2" .....	35.25 – 47.00
metal clad, swinging .....	32.25 – 50.25
metal clad, rolling .....	32.00 – 43.00
weatherstripping .....	3.00 – 9.25
add for mechanical operation, each .....	500.00 – 725.00
add for electric operation, each .....	1,225.00 – 1,825.00
add for underwriter's label .....	4.00 – 9.25
for paired doors, add 35% to 50% for second door.	
Gates, steel, folding .....	19.75 – 25.75
Overhead doors, sectionals, manual operation	9.75 – 15.00
roll up .....	14.25 – 21.75
add for mechanical operation, each .....	525.00 – 775.00
add for electric operation, each .....	1,175.00 – 1,675.00
Strip doors, plastic .....	6.25 – 12.75
Traffic doors, rubber, swinging .....	32.00 – 47.00
For entrance doors, see Storefront costs in Section UIP 6.	
For air curtains, see Section UIP 3.	
For hangar doors, see Section SEG 4.	

# WALL COSTS

## COSTS PER SQUARE FOOT OF DOOR AREA OR OPENING

### DOORS

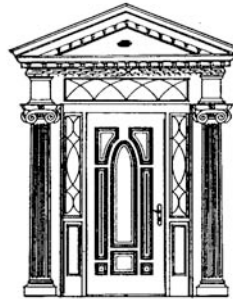
#### RESIDENTIAL STYLE

All costs include hardware and installation.

	<b>COST RANGE</b>
Metal, hollow core	\$ 13.50 – \$ 19.25
insulated	16.50 – 23.50
aluminum storm and screen, stock	9.50 – 16.00
deluxe	15.50 – 23.00
aluminum screen	5.50 – 9.50
Plastic, laminated, solid core	34.50 – 59.75
Wood, hardboard, slab, solid core	12.25 – 17.25
pine or fir, flat panel	16.00 – 24.25
raised panel	16.75 – 29.50
French	22.00 – 34.50
Dutch	20.75 – 31.00
natural finish hardwood or plastic-faced overlay	
flush, hollow core	11.00 – 25.25
solid core	12.75 – 27.25
decorative, standard pattern or carved	28.50 – 37.50
deluxe pattern or carved	39.00 – 60.00
for sidelites, use 50% of decorative door costs	
custom hardwood, solid core, flat panel, oak	59.75 – 81.50
raised panel, oak	73.50 – 183.00
teak	87.25 – 201.75
white ash	96.25 – 154.50
Philippine mahogany	134.75 – 276.50
walnut	125.25 – 312.75
decorative, glass lites, standard pattern	168.25 – 224.75
for plastic or metal, deduct 40%	
custom carved	204.25 – 342.75
for triple-insulated beveled glass, add	24.25 – 36.25
for 3/4"-thick sculptured crystal glass, add	38.50 – 50.50
solid brass adjustable sill	12.50 – 22.50
sidelites, sq. ft. of panel area	99.50 – 165.50
half round or ellipse toplites	138.25 – 300.50
rectangular toplites	84.00 – 138.25
wood storm and screen	12.50 – 15.50
deluxe	15.50 – 20.75
Weatherstripping, compression	1.25 – 3.00
magnetic	2.00 – 3.50
Glass patio doors, sliding or prefabricated swinging	
Aluminum, single glazed, 3/16"	11.00 – 18.25
double glazed, 5/8"	18.50 – 29.50
triple glazed	20.25 – 32.25
Wood, softwood	31.00 – 40.75
deluxe hardwood	46.25 – 66.25
for exterior metal or vinyl cladding, add	5.25 – 7.75
for diamond grilles, add	6.75 – 9.25
for curved-top grilles, add	18.25 – 21.75
for insulated glass, add	11.75 – 15.25
for insulated Low E glass with Argon gas, add	20.75 – 23.75
for solar bronze or solar gray insulating glass, add	7.75 – 10.75

For special glass treatments, use additives from Page 7.

### ORNAMENTAL DOORWAYS



Cost per square foot of ornamental opening, excluding the entry door area.

	<b>COST RANGE</b>
Fiberglass, stock (no lites)	\$ 29.00 – \$ 51.00
wood, stock trim	36.00 – 73.00
Custom wood, hand carved, including lites	135.00 – 270.00

### GARAGE DOORS

	<b>SINGLE</b>	<b>DOUBLE</b>
Overhead, single panel,		
plastic	\$ 8.30 – \$11.50	\$ 5.55 – \$10.30
metal	7.45 – 13.00	5.15 – 11.15
wood, plywood or hardboard	6.65 – 10.10	4.35 – 9.95
redwood or select cedar	10.35 – 16.65	8.30 – 14.75
custom, red oak or cherry	16.25 – 25.15	13.60 – 23.10
Sectional, plastic	9.15 – 13.40	6.35 – 11.50
metal	8.30 – 15.10	5.95 – 12.65
wood or hardboard	7.45 – 11.90	5.15 – 11.15
redwood or select cedar	12.15 – 22.20	10.70 – 19.15
custom, red oak or cherry	21.15 – 31.75	19.55 – 28.15
raised panels	25.80 – 36.70	23.80 – 33.05
Fan top, door headers,		
plastic, add	3.30 – 6.30	3.00 – 5.65
custom wood	4.00 – 7.00	3.65 – 6.60

	<b>COST RANGE</b>
Add for electronic operator,	
radio control, each	\$ 340.00 – \$ 620.00
extra remote controls, each	38.75 – 85.50
Add for electric operator,	
key or pushbutton, each	320.00 – 520.00
extra remote stations, each	48.50 – 100.50
Weatherstripping	1.45 – 3.20

<b>MISCELLANEOUS</b>	
Entry gates, metal	\$14.50 – \$29.50
custom estate, aluminum	35.25 – 52.50
hand-wrought iron	58.50 – 150.25
add for spear tops	2.15 – 6.45
scrolls	10.80 – 18.60
gold leaves	2.10 – 9.30
add for electronic operator,	
up to 1 H.P., sliding, each	2,525.00 – 5,050.00
swinging	1,700.00 – 4,275.00
add for control accessories, each,	
digital or magnetic card unit	925.00 – 1,175.00
key or single push button	575.00 – 775.00
magnetic vehicle detector	725.00 – 1,000.00
Basement entry,	
prefabricated steel bulkhead, each	525.00 – 775.00
Pet doors, each	80.00 – 245.00

# WALL COSTS

## COSTS PER SQUARE FOOT OF WALL AREA OR OPENING

### WINDOWS

All costs include single glazing, trim, hardware, and installation. Add 25% to 50% for double glazed, 45% to 75% for triple glazed, or see glass additives below.

	<b>COST RANGE</b>
Aluminum sash, projected (awning/hopper) . . . .	\$ 13.55 – \$ 22.25
basement . . . . .	10.70 – 15.15
casement . . . . .	11.10 – 19.25
double hung . . . . .	10.65 – 16.25
greenhouse . . . . .	20.10 – 32.75
jalousie . . . . .	12.95 – 21.05
single hung . . . . .	9.15 – 14.10
sliding, horizontal . . . . .	7.40 – 13.70
For bronze or white finish add 15%.	
Vinyl sash, solid, add 20% to aluminum costs above.	
Steel sash, casement . . . . .	10.50 – 20.90
fixed, industrial . . . . .	8.45 – 19.15
vented, industrial . . . . .	9.60 – 23.75
Wood sash, projected (awning/hopper) . . . . .	17.45 – 29.50
basement . . . . .	12.95 – 17.10
casement . . . . .	15.05 – 24.05
double hung . . . . .	12.30 – 18.60
greenhouse . . . . .	25.85 – 43.30
single hung . . . . .	11.60 – 15.95
sliding, horizontal . . . . .	10.25 – 15.60
for metal or vinyl clad, add . . . . .	6.30 – 9.30
Large windows, crystal glass, fixed . . . . .	9.30 – 15.05
add for metal or vinyl-clad wood or solid vinyl	2.10 – 5.10
bay or bow, prefabricated units . . . . .	23.75 – 37.85
greenhouse, window wall, 1' to 3' projection .	37.55 – 50.15
polygon or round windows, small . . . . .	64.75 – 86.75
add for curved glass . . . . .	85.00 – 115.00
add for bent (90°) glass . . . . .	345.00 – 405.00
add for opaque glass . . . . .	1.50 – 2.10
add for wire glass, clear . . . . .	9.95 – 12.00
add for 1/4" plate glass, polished . . . . .	2.00 – 4.20
add for 1/4" tempered plate glass . . . . .	5.10 – 10.50
add for painted trim . . . . .	1.05 – 1.25
add for aluminized reflective glass or solar film	5.10 – 6.30
add for double glazing (insulating glass) . . . .	3.95 – 6.00
add for impact (storm) resistant . . . . .	9.85 – 17.35
add for transparent heat-reflective filament . .	4.80 – 7.80
add for Low E insulated with Argon gas . . . . .	9.55 – 14.75

### FIRE ESCAPES

Two-story building,	
with ladder to roof, each . . . . .	\$3,925.00 – \$5,000.00
add for counterbalance . . . . .	2,150.00 – 3,200.00
Each additional story . . . . .	2,150.00 – 2,850.00

### GLASS

Cost per square foot of glass, including material and installation. For sloped glazing, add 10%.

	<b>LIGHT AREA (Square Feet)</b>					
	<b>1/4"</b>	<b>10 – 50</b>	<b>50 – 75</b>	<b>75 – 100</b>	<b>100 – 125</b>	<b>125 – 150</b>
Clear . . . . .	\$ 7.30	\$ 9.40	\$ 11.40	\$ 13.75	\$ 16.65	
Tinted (bronze or grey) . . . . .	8.75	11.10	13.10	15.65	18.60	
Single strength . . . . .	\$ 5.00		Obscure, 1/8" . . . . .	\$ 9.25		
Double strength . . . . .		5.25	Obscure, wire, 1/4" . .	12.25		
Crystal, 3/16" . . . . .		6.75	Polished wire, 1/4" plate	16.75		
Double-glazed, 1/2" . . . . .		17.25	Tempered plate, 1/4" .	11.50		
Bullet resistant, 1-3/16" . .	93.75		Acrylic sheet, 3/16" . .	11.00		
Impact resistant . . . . .	34.75		Polycarbonate, 3/16" .	21.75		
Liquid crystal, 1" insulated	108.00					

### MISCELLANEOUS

	<b>COST RANGE</b>
Security mesh or iron bars . . . . .	\$ 7.75 – \$ 15.50
wrought-iron grilles, decorative . . . . .	12.25 – 21.75
Security shutters, rolling metal, small windows	46.75 – 70.50
large windows . . . . .	35.25 – 45.00
doors . . . . .	21.50 – 41.50
add for motorized operation, each . . . .	295.00 – 865.00
for plastic, deduct 10% – 30%. . . . .	
for security sensors, see Section UIP 3, Page 16.	
Shades, cotton . . . . .	1.10 – 1.70
vinyl coated . . . . .	1.55 – 2.85
matchstick . . . . .	1.50 – 2.45
foil faced, insulated layers . . . . .	5.95 – 9.50
add for motorized operation, each . . . .	4.00 – 9.35
Shutters, exterior, plain . . . . .	5.95 – 11.90
louvered . . . . .	6.30 – 16.25
interior, movable louvers . . . . .	9.95 – 20.45
for custom hardwood, add 100% – 200%.	
Storm windows . . . . .	3.40 – 6.45
Venetian blinds, horizontal slats . . . . .	2.45 – 13.80
vertical steel slats . . . . .	3.95 – 23.75
for custom or mirror finish, add 100%. . .	
Window grilles, snap-in . . . . .	5.45 – 11.10
Window screens, aluminum frame and mesh	1.75 – 2.50
white frame and mesh . . . . .	2.15 – 3.05
bronze frame and mesh . . . . .	2.45 – 3.20
aluminum solar screen . . . . .	3.10 – 4.35
bronze solar screen . . . . .	9.00 – 14.75
wood frame and mesh . . . . .	4.35 – 6.30
Basement window wells, corrugated metal, each	31.50 – 51.75
add for grate cover . . . . .	36.50 – 42.75
4' escape well . . . . .	114.25 – 156.25

