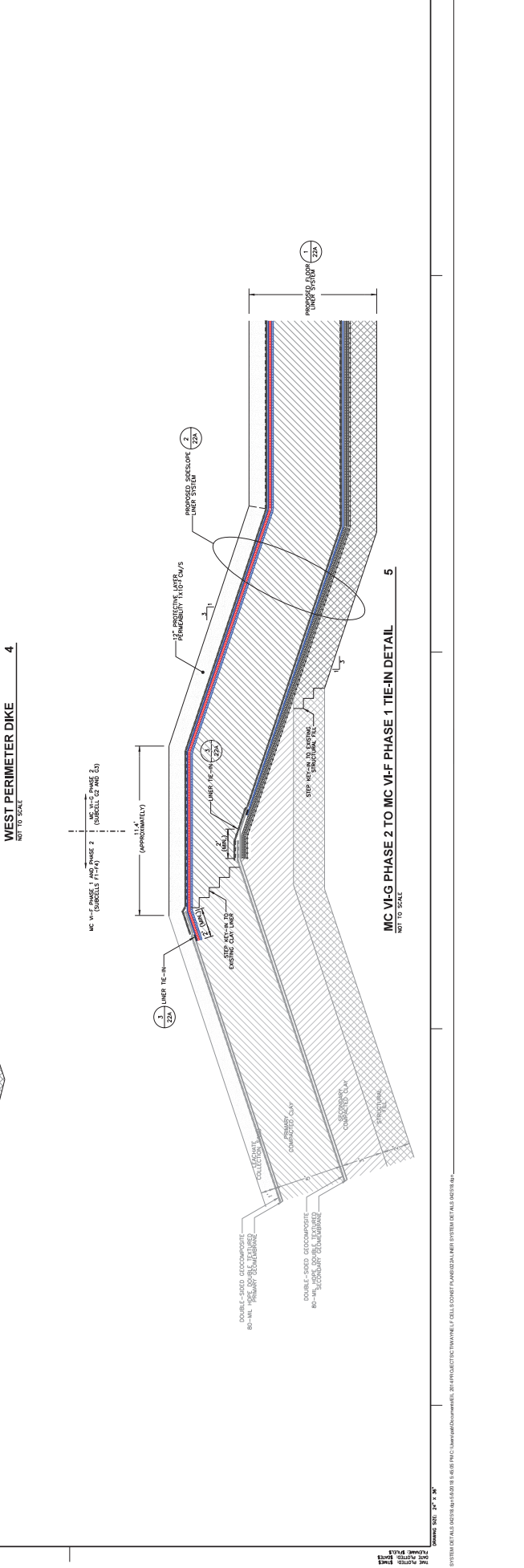
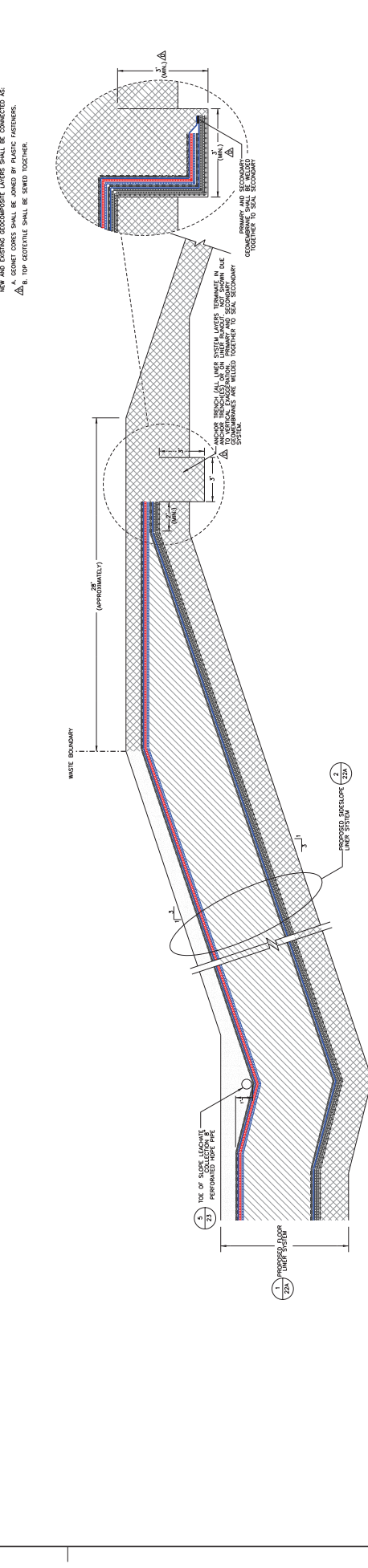
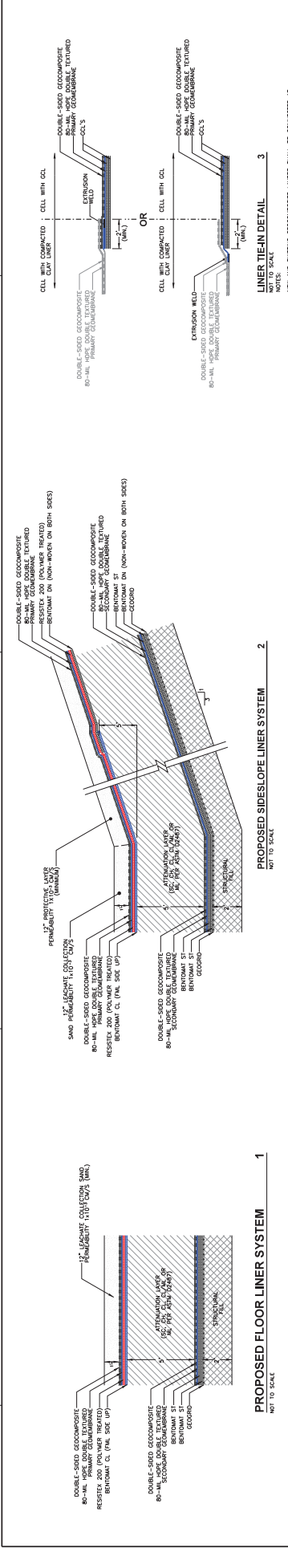


DATE	5/2/2018
DESIGNED BY	KZ
PROJECT NO.	18-010
SCALE	N.T.S.
PROJECT NUMBER	18-010
ISSUED/REV	
DRAWING NO.	22A

REV	DATE	DESCRIPTION
1	5/2/18	ISSUE FOR PERMITS
2	5/2/18	REVISION BASED ON MEQ'S COMMENTS
3	5/2/18	REVISION BASED ON MEQ'S COMMENTS
4	5/2/18	REVISION BASED ON MEQ'S COMMENTS

WAYNE DISPOSAL INC., SITE NO. 2
 BELLEVILLE, MICHIGAN
 LINER SYSTEM DETAILS
 FOR MC V-I-G PHASE 2 SUBCELL G2 AND G3



WAYNE DISPOSAL INC., SITE NO. 2
 BELLEVILLE, MICHIGAN
 LINER SYSTEM DETAILS
 FOR MC V-I-G PHASE 2 SUBCELL G2 AND G3

DATE: 5/2/2018
 DESIGNED BY: KZ
 PROJECT NO.: 18-010
 SCALE: N.T.S.
 PROJECT NUMBER: 18-010
 ISSUED/REV:
 DRAWING NO.: 22A

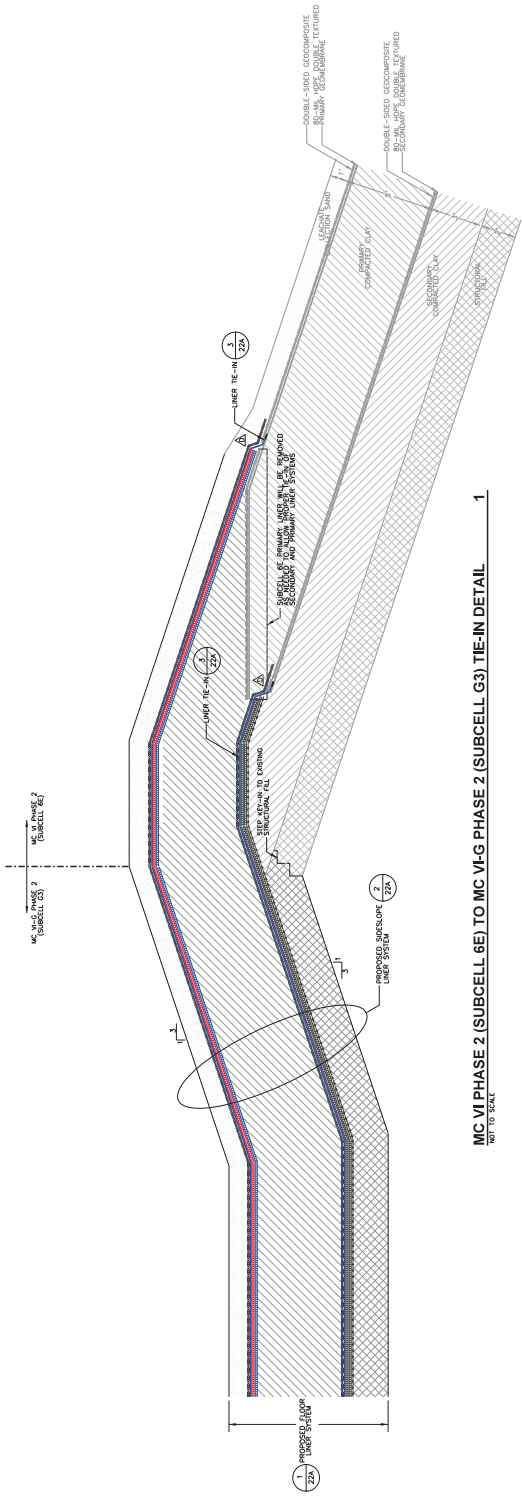
DATE: 5/02/18
 DESIGNED BY: XZ
 DRAWN BY: PAA
 CHECKED BY: TTS
 APPROVED BY: XZ

CTI and Associates, Inc.
 28001 Carbon Drive, Ste. 250
 Novi, Michigan 48277
 (248) 465-5100 (M) (466) 0650
 WWW.CTIENGINEERS.COM

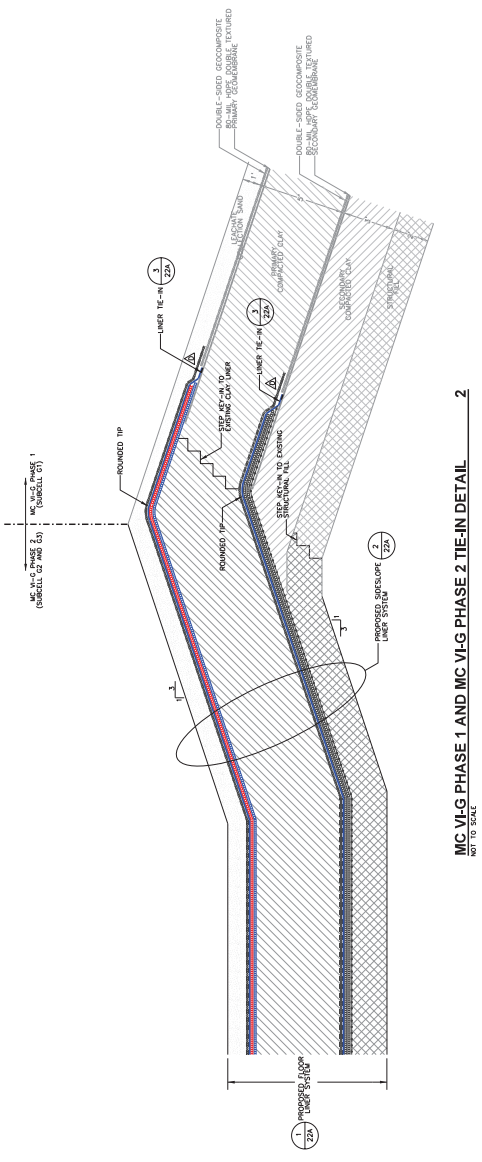
NOT TO SCALE
 1
 2
 3
 4
 5
 6
 7
 8
 9
 10
 11
 12
 13
 14
 15
 16
 17
 18
 19
 20
 21
 22
 23
 24
 25
 26
 27
 28
 29
 30
 31
 32
 33
 34
 35
 36
 37
 38
 39
 40
 41
 42
 43
 44
 45
 46
 47
 48
 49
 50
 51
 52
 53
 54
 55
 56
 57
 58
 59
 60
 61
 62
 63
 64
 65
 66
 67
 68
 69
 70
 71
 72
 73
 74
 75
 76
 77
 78
 79
 80
 81
 82
 83
 84
 85
 86
 87
 88
 89
 90
 91
 92
 93
 94
 95
 96
 97
 98
 99
 100

WAYNE DISPOSAL INC., SITE NO. 2
 BELLEVILLE, MICHIGAN
 LINER SYSTEM DETAILS
 (FOR MC VI-G PHASE 2 SUBCELL G2 AND G3)

PROJECT NUMBER: 18070020
 SCALE: NTS
 DRAWING NO: 22B



MC VI PHASE 2 (SUBCELL 6E) TO MC VI-G PHASE 2 (SUBCELL G3) TIE-IN DETAIL
 NOT TO SCALE



MC VI-G PHASE 1 AND MC VI-G PHASE 2 TIE-IN DETAIL
 NOT TO SCALE

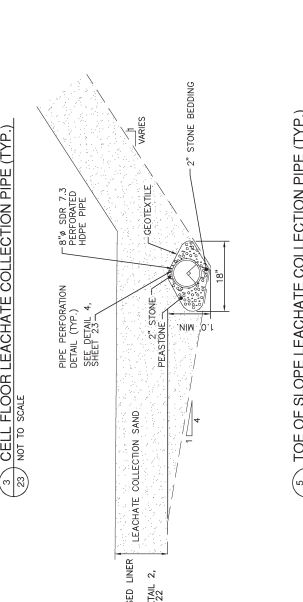
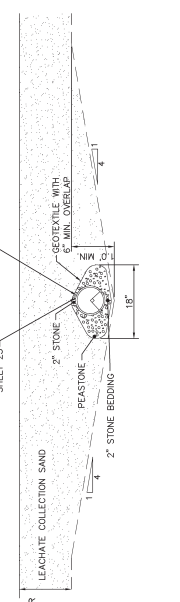
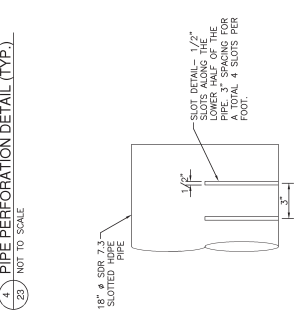
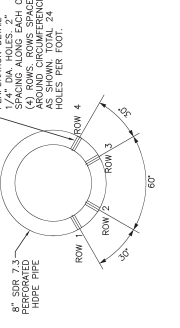
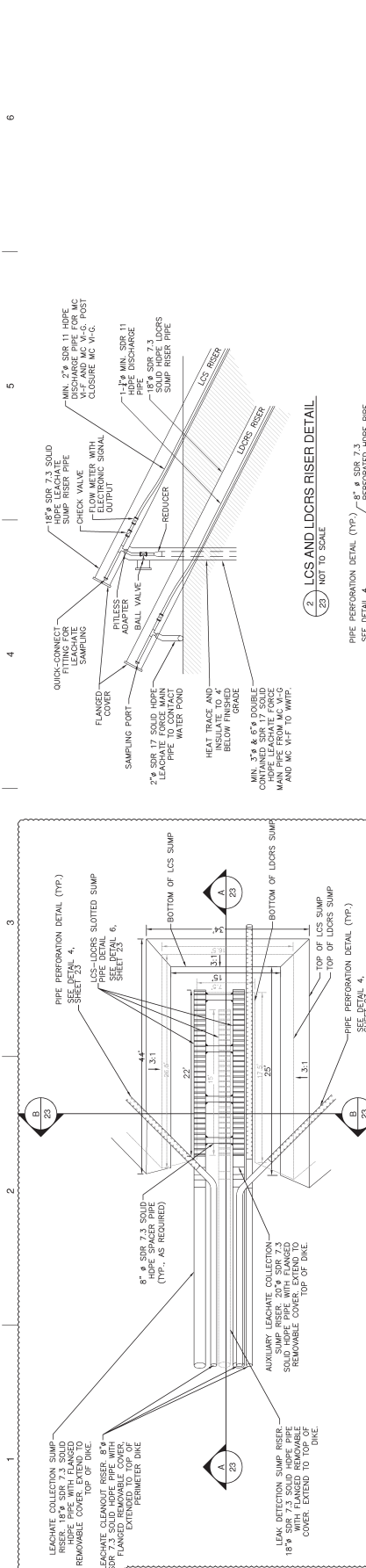
REV.	DESCRIPTION	DATE BY
1.	FOR REVISIONS	
2.	FOR REVISIONS	
3.	FOR REVISIONS	
4.	FOR REVISIONS	
5.	FOR REVISIONS	
6.	FOR REVISIONS	
7.	FOR REVISIONS	
8.	FOR REVISIONS	
9.	FOR REVISIONS	
10.	FOR REVISIONS	
11.	FOR REVISIONS	
12.	FOR REVISIONS	
13.	FOR REVISIONS	
14.	FOR REVISIONS	
15.	FOR REVISIONS	
16.	FOR REVISIONS	
17.	FOR REVISIONS	
18.	FOR REVISIONS	
19.	FOR REVISIONS	
20.	FOR REVISIONS	
21.	FOR REVISIONS	
22.	FOR REVISIONS	
23.	FOR REVISIONS	

PROJECT LOCATION:
WAYNE DISPOSAL, INC.
SITE NO. 1000
BELLEVILLE, MICHIGAN

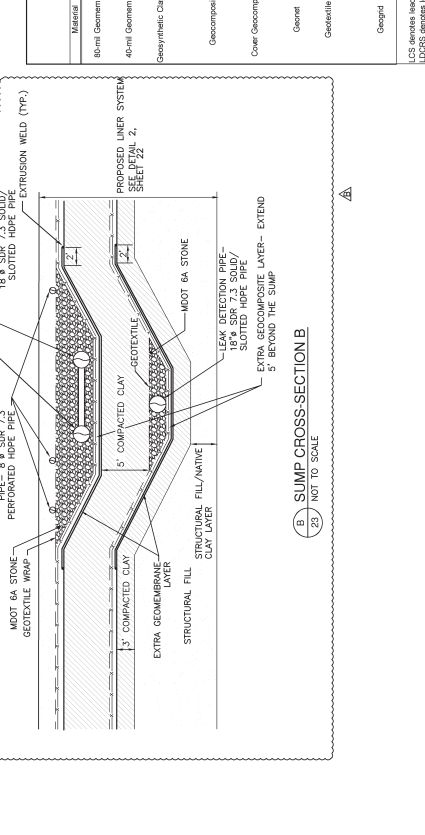
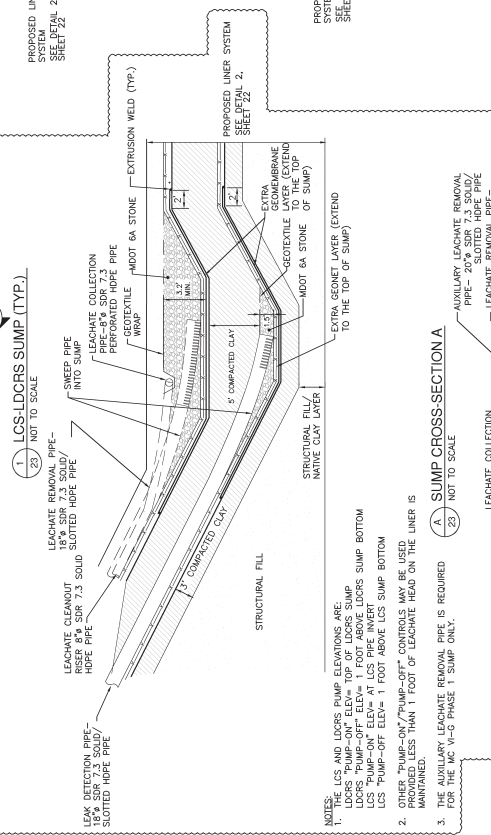
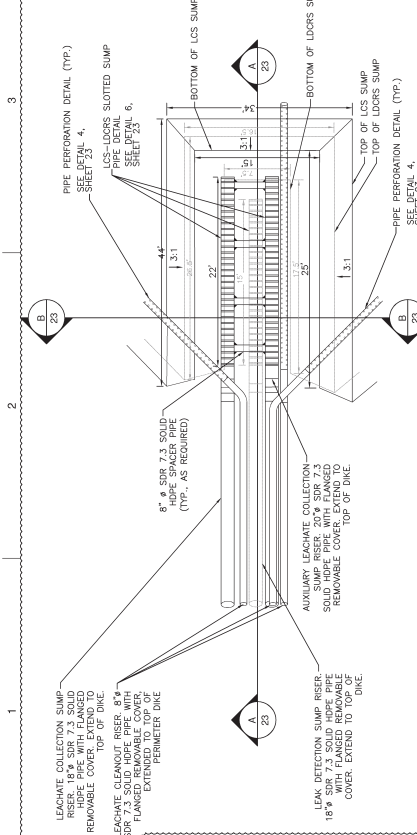
PROJECT NO.:	13-00001-03
DATE:	JUL 11/2008
DRAWING SCALE:	AS SHOWN
DRAWN BY:	AS SHOWN
CHECKED BY:	AS SHOWN
ISSUED BY:	AS SHOWN
ISSUE NO.:	9/23/11

PROJECT TITLE:
**LEACHATE COLLECTION
SYSTEM DETAILS**

SHEET REFERENCE NUMBER:
23



Material	Location	Description	Product	Additional Requirements
8-mil Geomembrane	Primary and secondary liners	8-mil HDPE, textured both sides	GSE ID textured, or equivalent	Interface friction requirements in COA Plan
4-mil Geomembrane	Final cover	4-mil HDPE, textured both sides	GSE ID textured, or equivalent	Interface friction requirements in COA Plan
Geosynthetic Clay Liner	Final cover	Sodium bentonite encapsulated in 200-mil HDPE, bonded top and bottom to provide meeting requirements below	CETCO Bentomat ST, or equivalent	Internal shear strength requirements in COA Plan
Geomembrane	LCS and LDCRS	200-mil HDPE, bonded top and bottom to provide meeting requirements below	GSE FABRINET, or equivalent	Transmissivity and interface friction requirements in COA Plan
Cover Geocomposite	Final cover	200-mil HDPE, bonded top and bottom to provide meeting requirements below	GSE FABRINET, or equivalent	Transmissivity and interface friction requirements in COA Plan
Geotextile	LCS and LDCRS sumps, and LDCRS collectors	All geocomposites, geotextiles/geomembranes for LCS and final cover permittees (see)	GSE HYPERNET, or equivalent Amoco 4028 Synthetic Industries Centex 801, or equivalent	Transmissivity requirements in COA Plan ASHTO M28-85 requirements for Drainage Geotextile (Class 2)
Geogrid	Above Subgrade	Basalt Polymeric Grid	Hudner Fortrac 6530, or equivalent	None



NOTES:
1. LCS AND LDCRS PUMP RELATIONS ARE SHOWN ON SHEET 23.
2. LDCRS "PUMP-OFF" ELEVATION IS 1 FOOT ABOVE LDCRS SUMP BOTTOM.
3. LCS "PUMP-OFF" ELEVATION IS 1 FOOT ABOVE LCS SUMP BOTTOM.
4. DIMENSIONS LESS THAN 1 FOOT OF LEACHATE HEAD ON THE LINER IS TO BE MAINTAINED.
5. THE AUXILIARY LEACHATE REMOVAL PIPE IS REQUIRED FOR THE MC V-G PHASE 1 SUMP ONLY.

