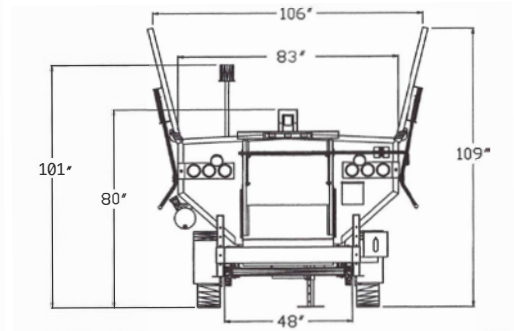
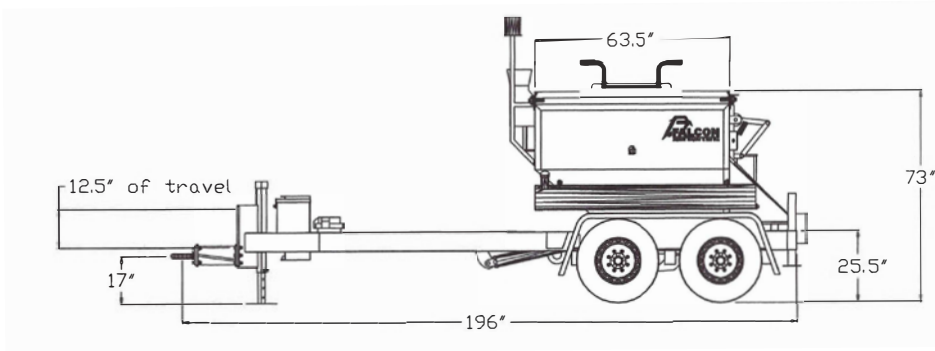


4 TON ASPHALT HOT BOX AND RECYCLER



Type	4 Ton Trailer
Capacity	8,000 lbs of material
Base Weight	4,480 lbs
Weight loaded with material	12,480 lbs
GVWR	14,000 lbs
Fuel Source	Diesel
Fuel Capacity	15 gallons on dump box - 18 gallons on fixed trailer
Burner Type	105,000 BTU Diesel Beckett burner w/electronic spark ignition
Number of burners	1 or 2
Unloading door	Insulated guillotine, 18"Hx33" W
Loading doors	Manual 63"L x 41"W
Hopper opening	106" - doors open
Width	83"
Length	16'
Height	73"
Construction	Triple wall insulated – air jacketed
	10 gauge capping channel and corner molding
	Hopper floor ¼" steel
	Wiring is external to hopper
Axles	Tandem slipper leaf spring
Tires	8-bolt wheels w/9x16" tires
Brakes	4 wheel electric brakes with safety breakaway
Hitch	Pintle eye
Paint	Blasted and painted with two coats of epoxy primer and urethane finish
Frame	2"x6"x1/4" tubular steel frame with boxed-in and enclosed gussets
Asphalt repair areas	9'x9'x4" depth (80 potholes 1'x1'x4" depth)
Warranty	2 year machine warranty, 5 year maintenance free combustion chamber, lifetime frame warranty

Falcon Asphalt Repair Equipment
 2600 W. Salzburg Rd.
 Freeland, MI 48623
 sales@falconrme.com

Phone: (989) 495-9332
 Fax: (989) 495-9342
 www.falconrme.com

WWW.FALCONRME.COM



FALCON

Asphalt Repair Equipment



4 TON ASPHALT HOT BOX AND RECYCLER

STANDARD:

- Battery charger package
- Automatic temperature control
- VIP technology
- One piece ceramic combustion chamber (diesel)
- Diamond tread plate hopper access platform
- Heated shoveling platform
- 12 volt deep cycle batteries
- Conspicuity tape

OPTIONS:

- Hydraulic dump function
- Dual burner recycling package
- Hydraulic loading and unloading doors
- LED light upgrades including LED arrow board
- 30 gallon tack tank with spray system and hose reel
- Basket for mounting compactor
- Wash-down system
- 24-hour or 7-day timer
- Short frame - 14'
- XL frame - 18', 20'
- Electric overnight heat
- Hoist - manual or electric
- Tire upgrade
- Propane torch with bracket
- Other customizable options available

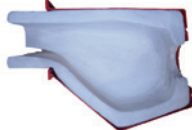
Falcon hot boxes and recyclers give you unparalleled **versatility**. You can **transport cold mix**, keeping it warm during the winter months and making it easier to work with; you can **transport hot mix and keep it hot all day**; and you can **hold hot mix overnight**, keeping it warm for up to 48 hours. You can also **reclaim unused hot mix**, eliminating the waste of good material, and you can **recycle asphalt chunks and millings**. All of this makes Falcon the most versatile machine you can buy for pavement preservation.

All Falcon machines are built with pride in Michigan and come with the following standard features: **patented heat management system** featuring a 5-year maintenance-free combustion chamber, **large unloading door** for easy access, **patented VIP system** to eliminate damage from low voltage, a **2-year machine warranty and lifetime frame warranty**, an emphasis on **curbside safety** and easy platform work surfaces, and a durable and **reliable dump system**.

THE FALCON ADVANTAGE



Large Unloading Door For Easy Access



Patented Heat Management System



Platform For Safe, Easy Hopper Access



Patented VIP - Low Voltage Shutdown



Dump System - Pivot Point & V-Body



Lifetime Frame Warranty

Falcon Asphalt Repair Equipment
2600 W. Salzburg Rd.
Freeland, MI 48623
sales@falconrme.com

Phone: (989) 495-9332
Fax: (989) 495-9342
www.falconrme.com

WWW.FALCONRME.COM

STATE OF MICHIGAN

Contract No. 24000000162

Agricultural, Grounds, Turf, Earth Moving, and Roadside Maintenance Equipment

SCHEDULE B PRICING MATRIX

1. The Contractor must provide a pricing schedule for the proposed Contract Activities using Microsoft Excel. The pricing schedule should be submitted in a modifiable format (e.g., Microsoft Word or Excel); however, you may also submit an additional pricing schedule in a non-modifiable format (e.g., PDF). Failure to complete the pricing schedule as requested may result in disqualification of your proposal.
2. Price proposals must include all costs, including but not limited to, any one-time or set-up charges, fees, and potential costs that Contractor may charge the State (e.g., shipping and handling, per piece pricing, and palletizing).
3. The Contractor is encouraged to offer quick payment terms. The number of days must not include processing time for payment to be received by the Contractor's financial institution.
Quick payment terms: 0 % discount off invoice if paid within n/a days after receipt of invoice.
4. By submitting its proposal, the Contractor certifies that the prices were arrived at independently, and without consultation, communication, or agreement with any other Contractor.
5. All items below for PURCHASE shall be evaluated based on a single purchase at each prosperity region (13 single purchases). If delivery pricing is per mile, the delivery cost shall be calculated from the nearest dealer location to the estimated central location of each region. Mileage is calculated one way.
 - a). (Purchase price x 13) + (Delivery cost at all 13 prosperity regions) + (13 Hours of training) or
 - b). (Purchase price x 13) + (Mileage rate x mileage from nearest dealer to each estimated central prosperity region) + (13 Hours of training)
6. All items below for RENTAL shall be evaluated based on a combination of a single daily, weekly, and a monthly rental in each prosperity region. Delivery and pickup shall be calculated for each single rental (13 x 3 = 39 single purchases). If delivery/pickup pricing is per mile, the delivery/pickup cost shall be calculated from the nearest dealer location to the estimated central location of each region. Mileage is calculated one way for each pickup and delivery.
 - a). (Daily rental price x 13) + (Delivery and pickup cost at all 13 prosperity regions) + (Weekly rental price x 13) + (Delivery and pickup cost at all 13 prosperity regions) + (Monthly rental price x 13) + (Delivery and pickup cost at all 13 prosperity regions) or
 - b). (Daily rental price x 13) + (Delivery and pickup mileage rate x mileage to and from nearest dealer to each estimated central prosperity region) + (Weekly rental price x 13) + (Delivery and pickup mileage rate x mileage to and from nearest dealer to each estimated central prosperity region) + (Monthly rental price x 13) + (Delivery and pickup mileage rate x mileage to and from nearest dealer to each estimated central prosperity region)

7. Refer to "Standard Contract Terms", section 7, regarding administration fee.

SPEC SECTION	PURCHASE		RENTAL		PARTS, MAINTENANCE & REPAIR
	UNIT DESCRIPTION	PRICE	UNIT DESCRIPTION	PRICE	
9 C36-0401-4T-23 Asphalt Heater-Hauler					Hourly Rate
A. EQUIPMENT MAKE & MODEL:	Each	\$22,009	Hourly	N/A	\$150.00
FALCON 4T1B			Daily	\$333	% Discount on
			Weekly	\$1,000	Parts
			Monthly	\$3,000	N/A
B. DELIVERY:					
Per mile (one way) from Contractor's nearest dealer location and/or	per mile	N/A	per mile	N/A	
Lump sum cost per region (provide delivery cost for each region per Schedule D, Prosperity Regional Map)					
1a. Western UP	Lump sum	700	Lump sum	250/ EACH WAY	
1b. Central UP	Lump sum	700	Lump sum	250/ EACH WAY	
1c. Eastern UP	Lump sum	700	Lump sum	250/ EACH WAY	
2. Northwest	Lump sum	400	Lump sum	250/ EACH WAY	
3. Northeast	Lump sum	400	Lump sum	250/ EACH WAY	

4a. West Central	Lump sum	400	Lump sum	250/ EACH WAY
4b. West Michigan	Lump sum	400	Lump sum	250/ EACH WAY
5. East Central	Lump sum	400	Lump sum	250/ EACH WAY
6. East	Lump sum	400	Lump sum	250/ EACH WAY
7. South Central	Lump sum	400	Lump sum	250/ EACH WAY
8. Southwest	Lump sum	400	Lump sum	250/ EACH WAY
9. Southeast	Lump sum	400	Lump sum	250/ EACH WAY
10. Detroit Metro	Lump sum	400	Lump sum	250/ EACH WAY
C. MULTI UNIT DISCOUNT (Provide % discount on total cost of purchase for X additional item)				
	1 Additional	N/A		
	2 Additional	N/A		
	3 Additional	N/A		
	4 Additional	N/A		
D. TRAINING (per Schedule A, Statement of Work, section 3.3)				
	Hourly	N/C		