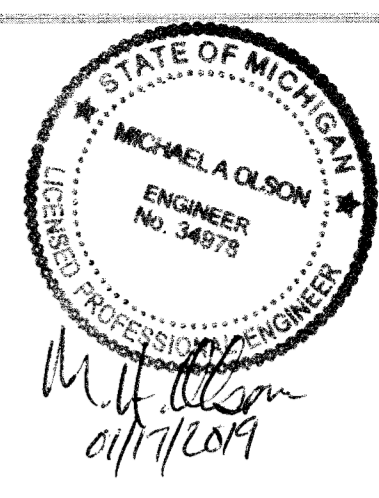
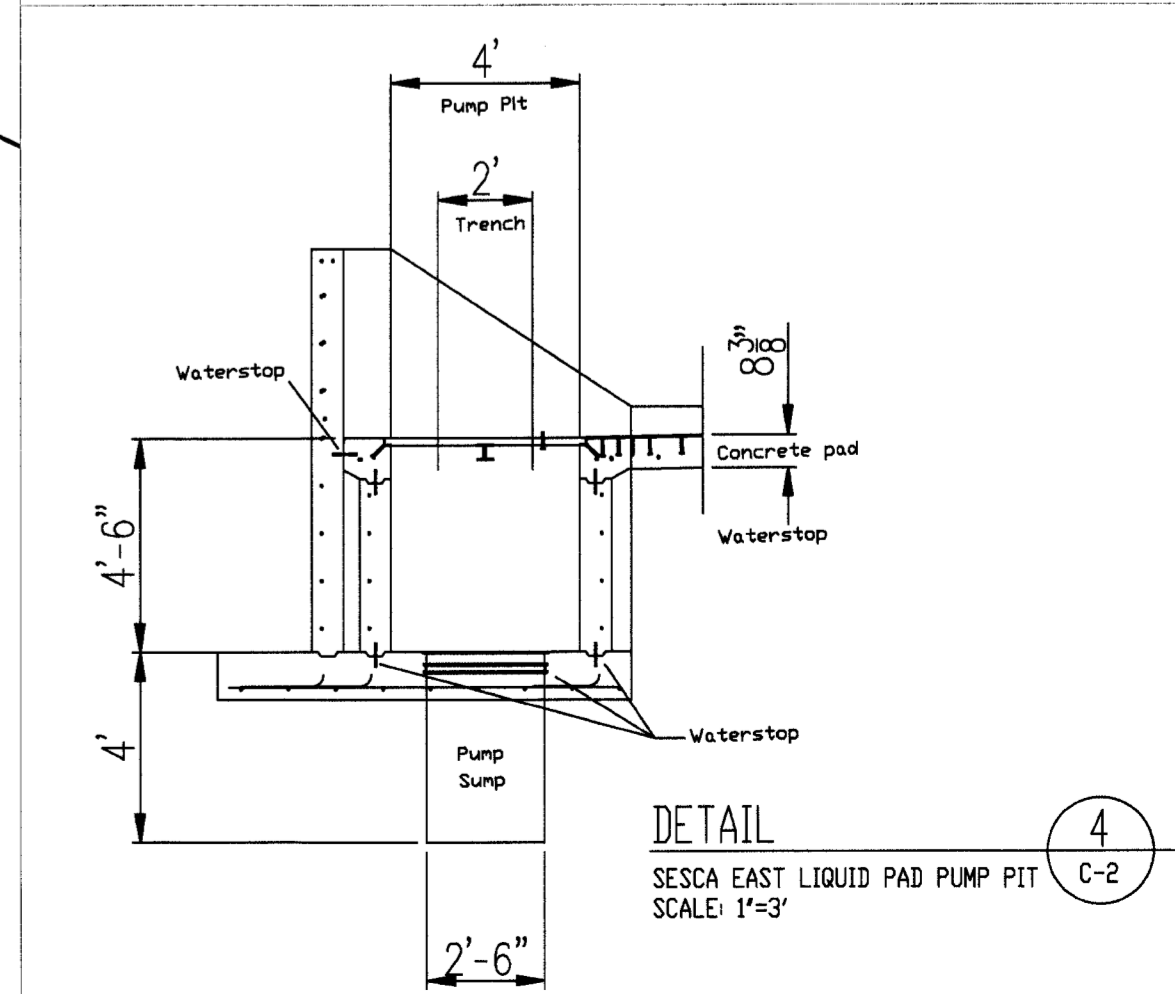
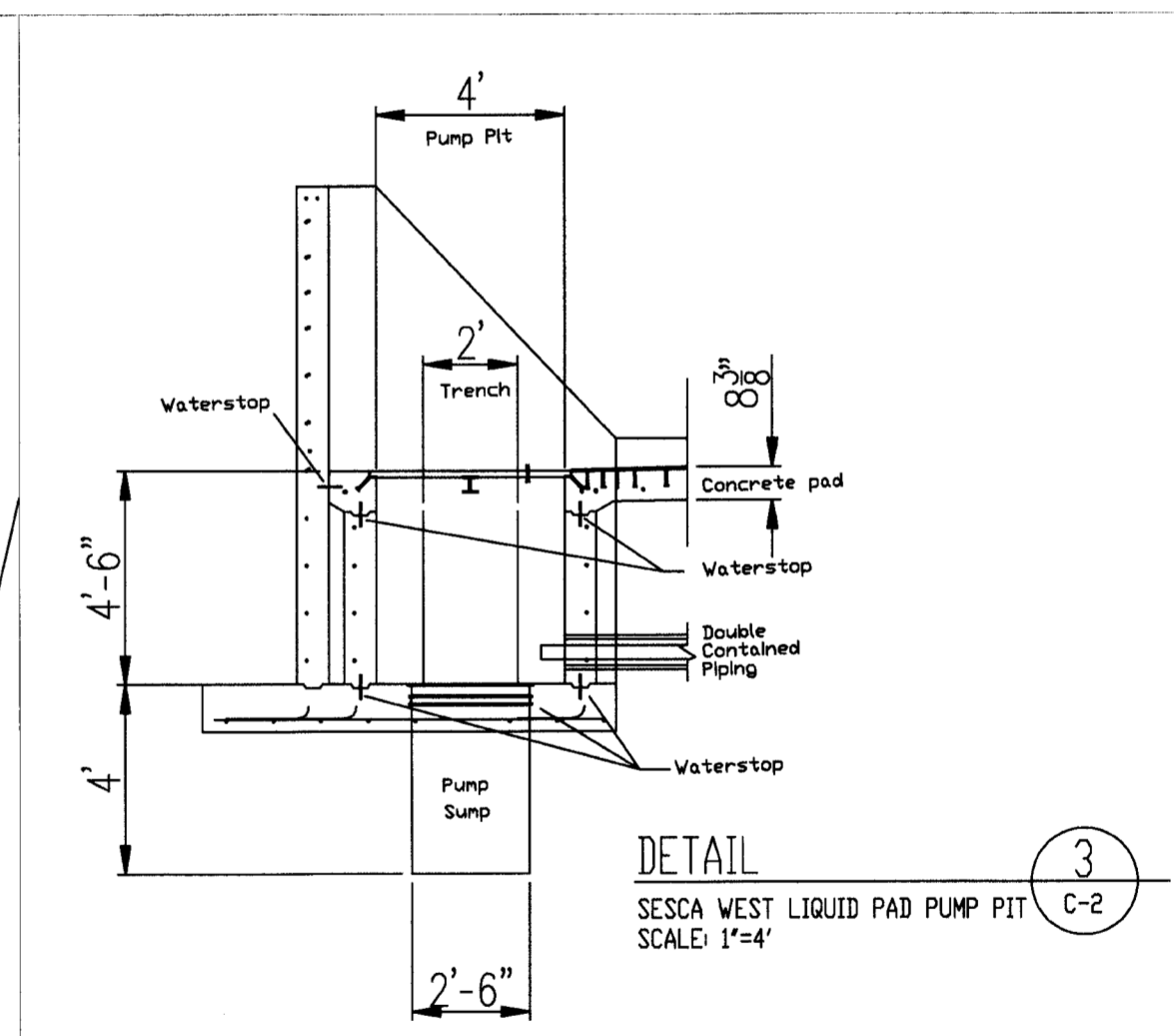
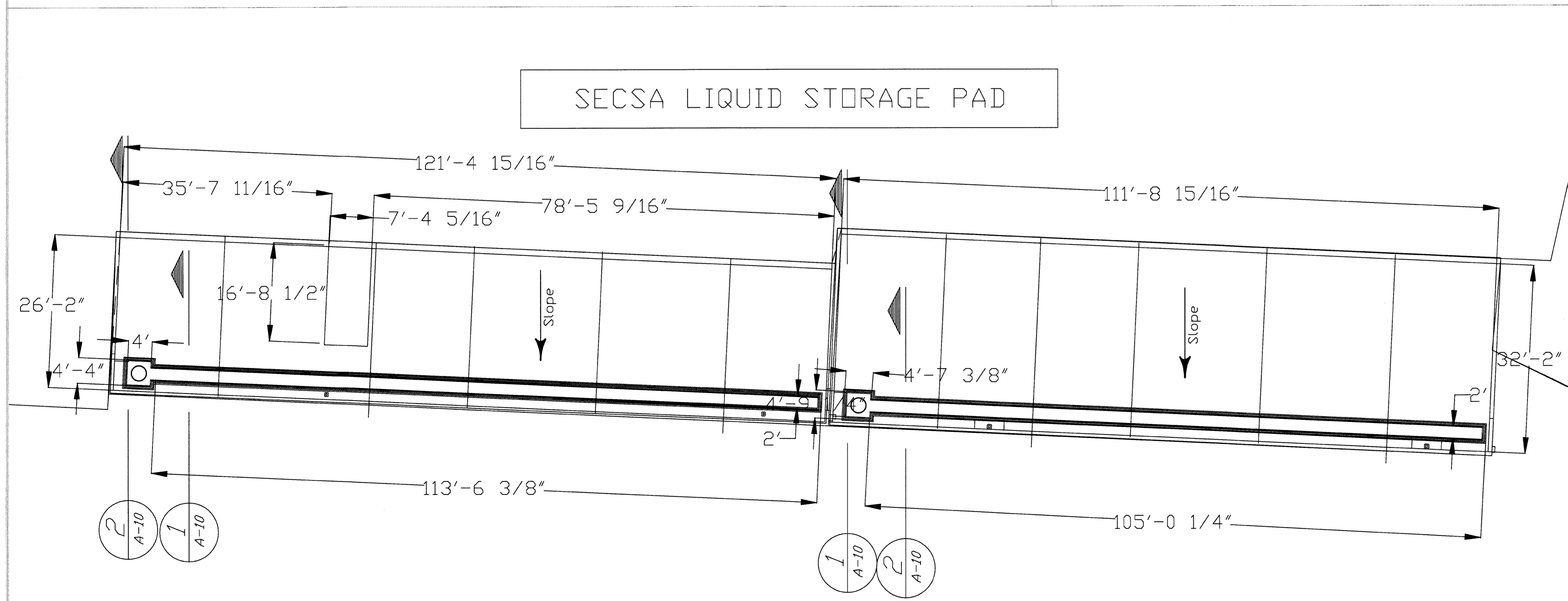
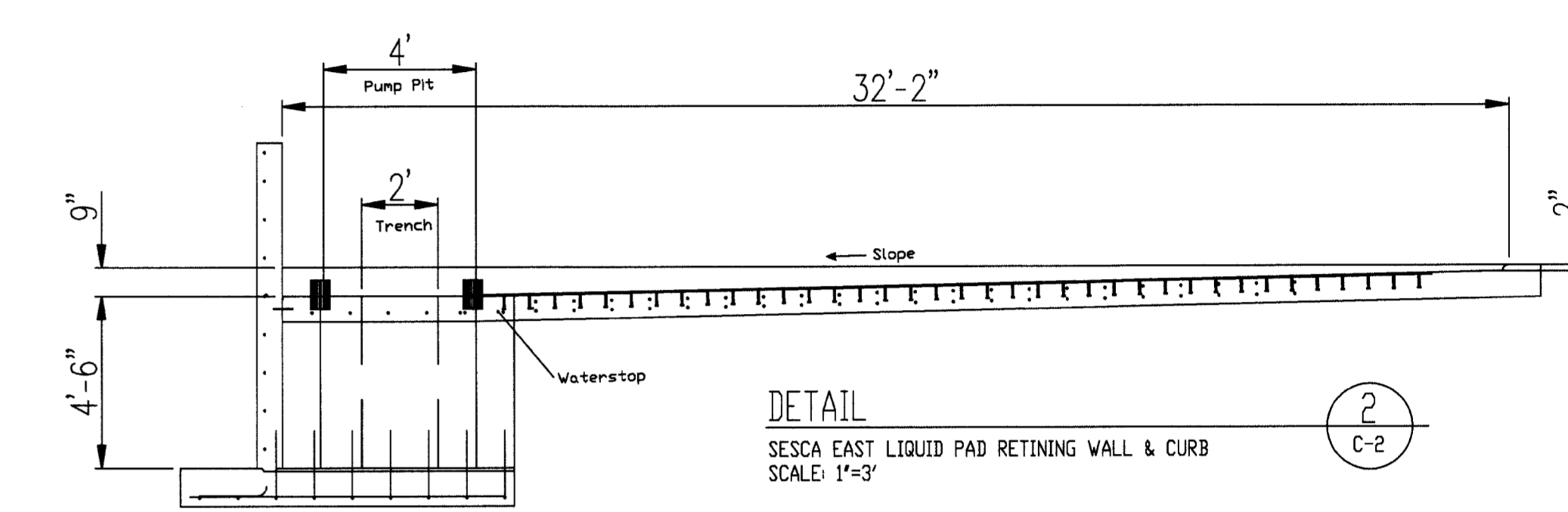
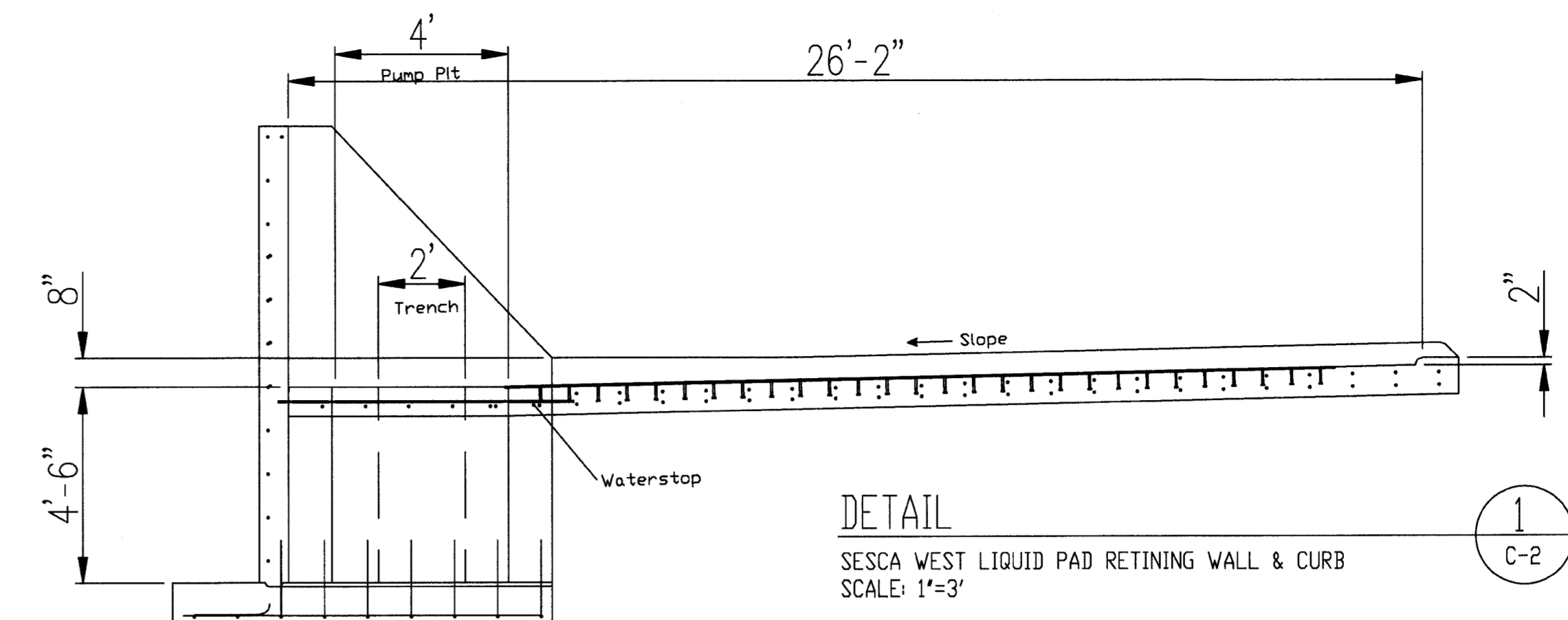
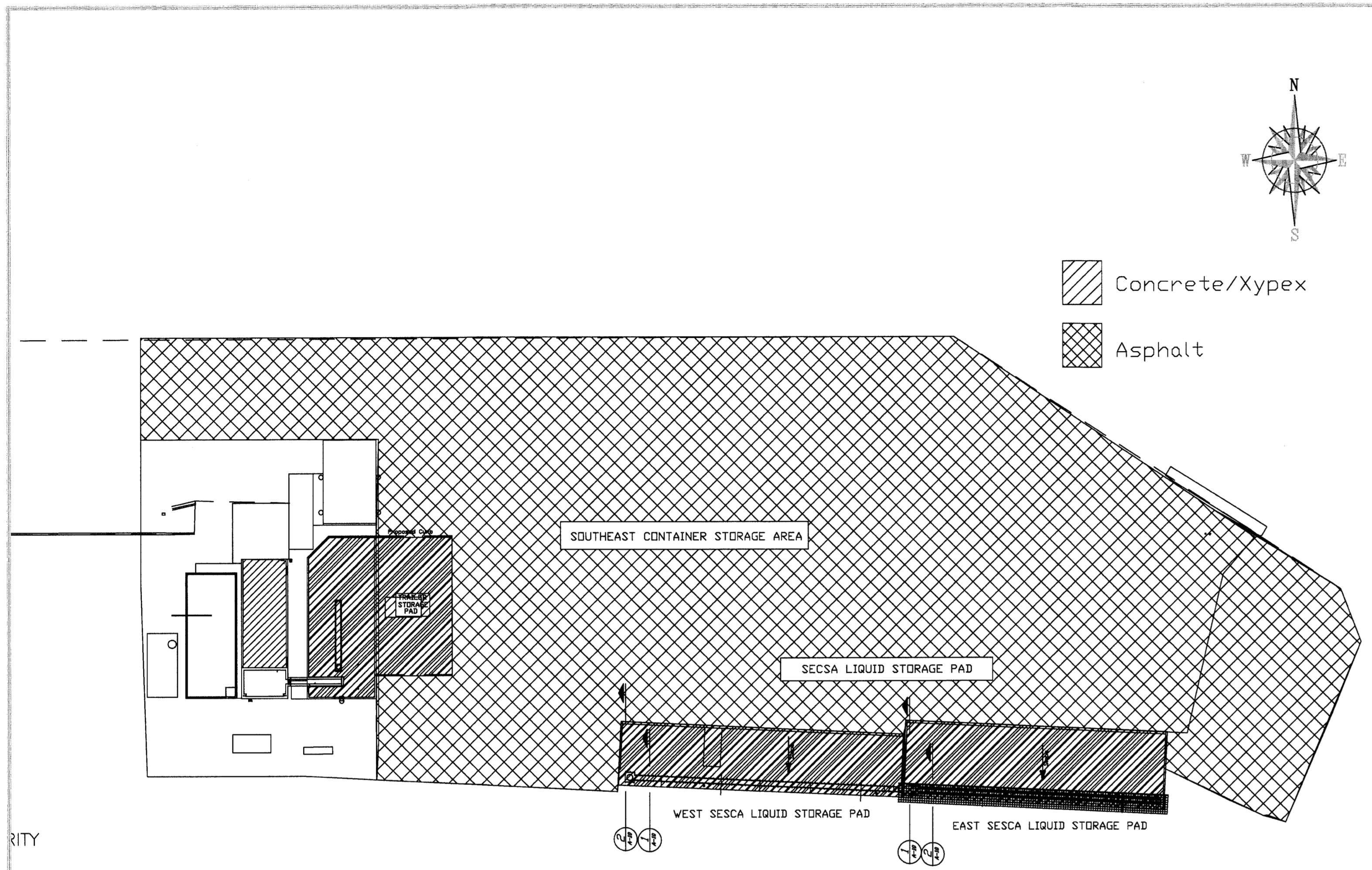


Notes

- 1) "1" Plate" denotes plate that is nominally 1" thick.
 A minimum 3/4" plate was installed.

NO.	DATE	BY	CHKD	REVISIONS
1	4/25/04	ljs		

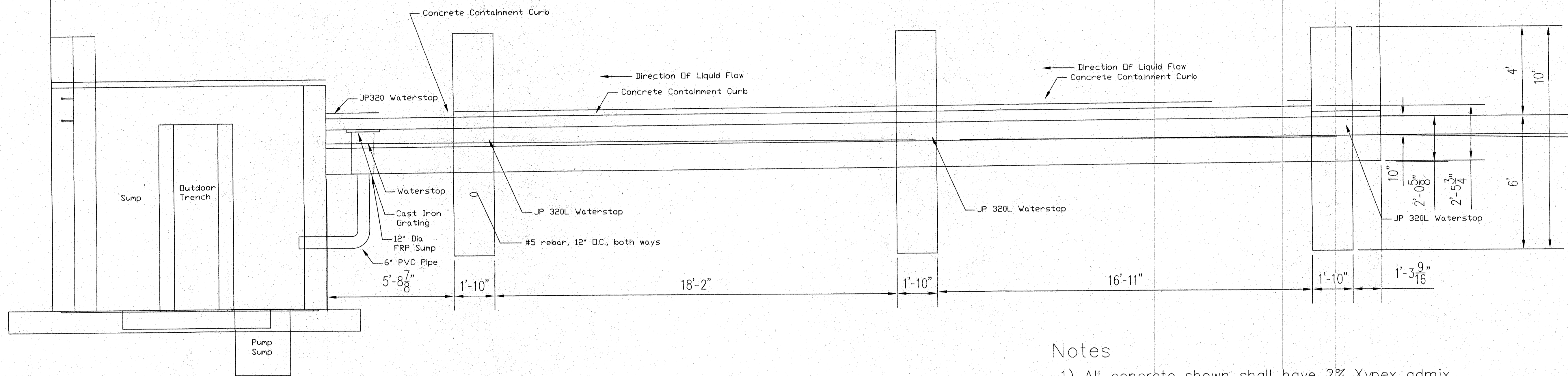
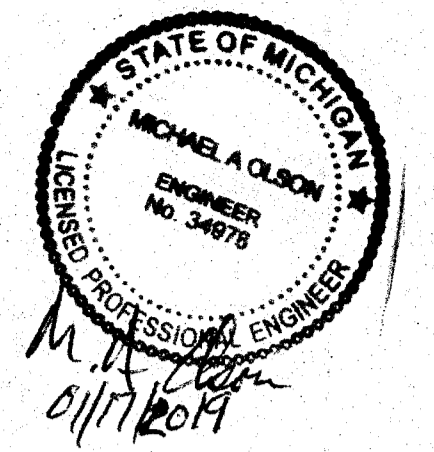
PROJ. FILE: MICHIGAN DISPOSAL WASTE TREATMENT PLANT
 LIC: LJC
 DATE: 3/4/05
 SCALE: 1"=10'
 SHEET: 01 OF 01
 DRN BY: CAG



NO.	REVISIONS
A	
B	
C	
D	
E	

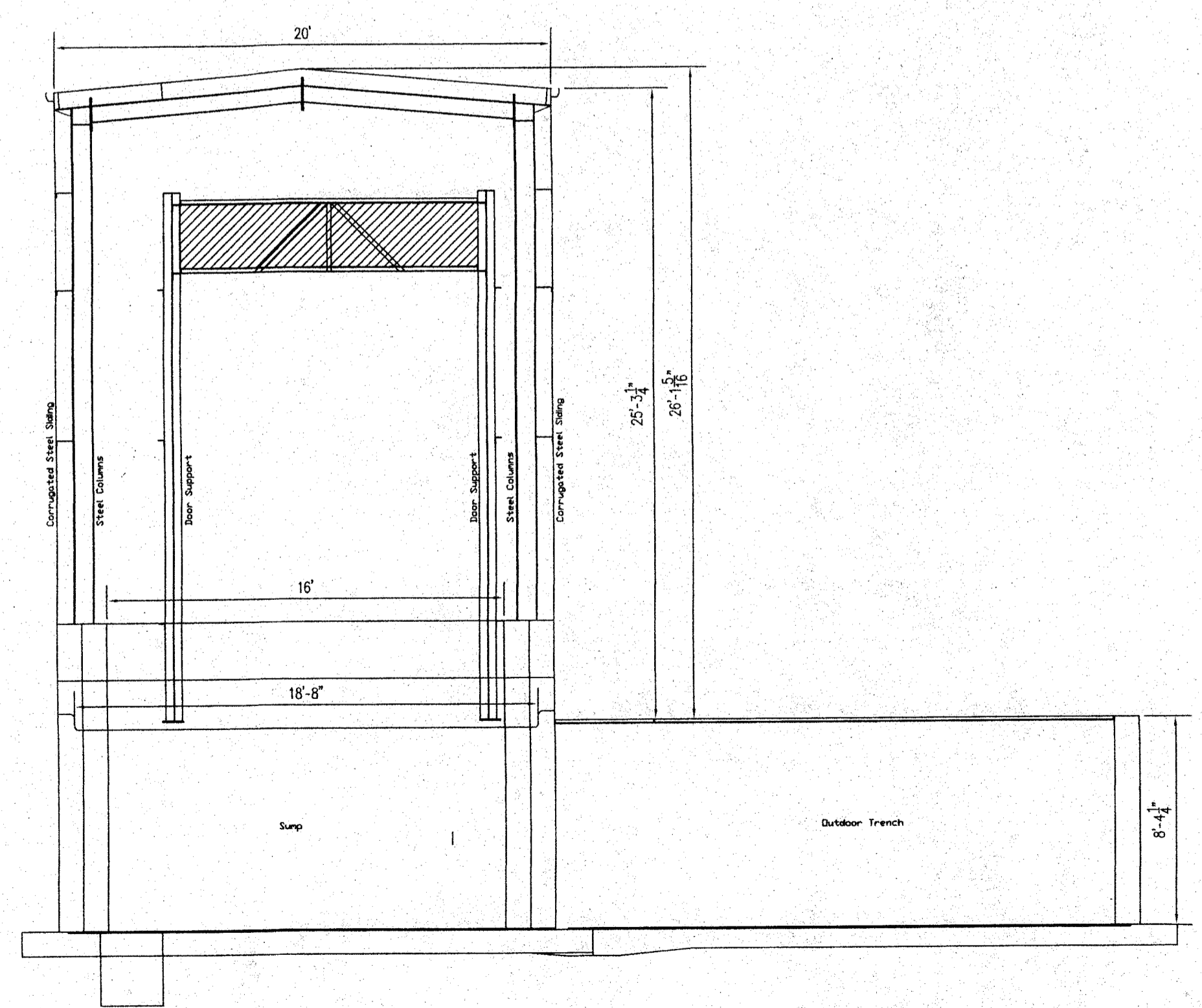
FILENAME:	MDWTP
PROJ. FILE:	
DATE:	9/8/16
SCALE:	1"=15'
DRAWN BY:	CAG
SHEET:	OF

MICHIGAN DISPOSAL WASTE TREATMENT PLANT
SOUTHEAST CONTAINER STORAGE AREA
LIQUID CONTAINER SEC. CONTAINMENT DETAILS

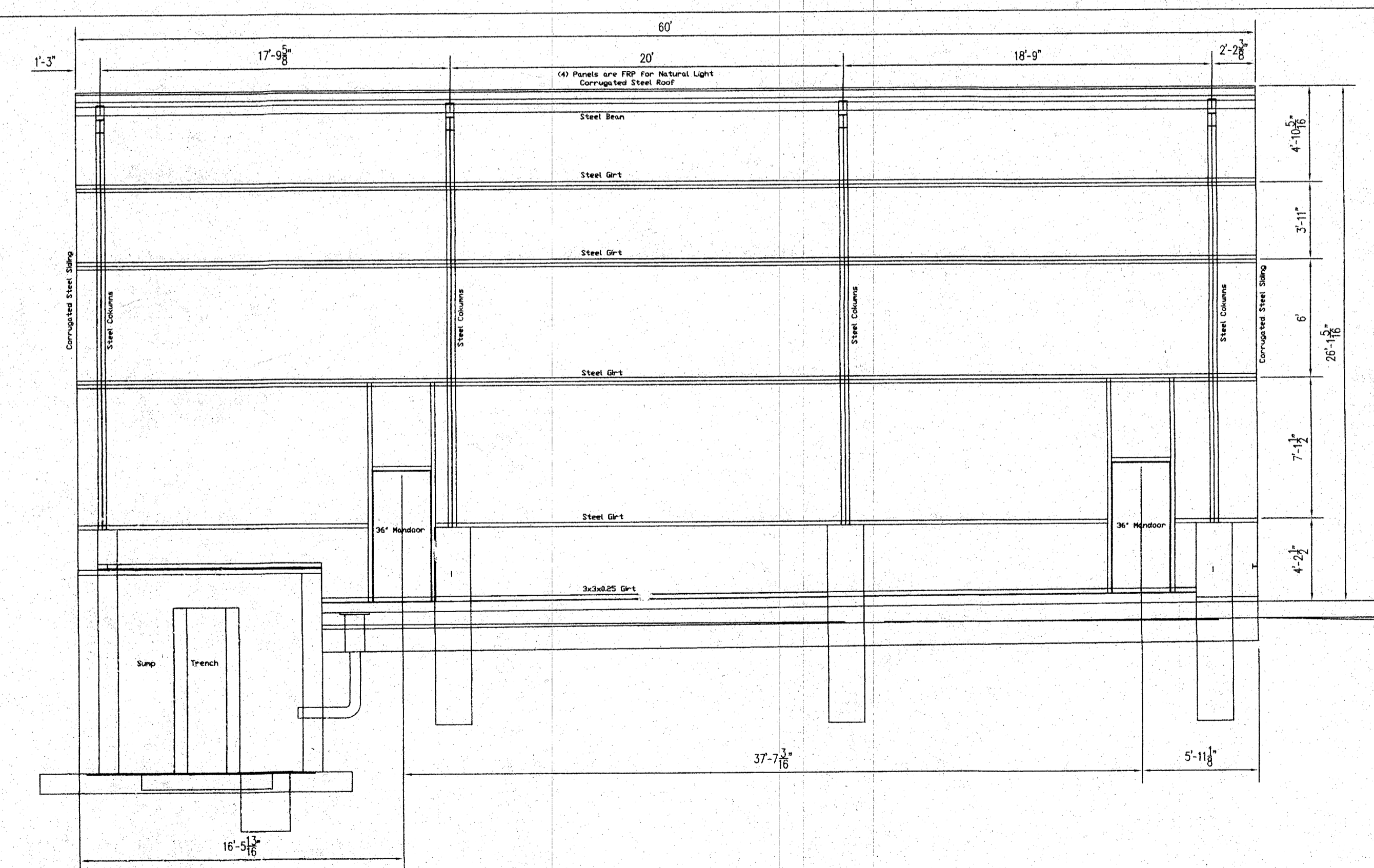


Notes
 1) All concrete shown shall have 2% Xypex admix added to the batch

SECSA BUILDING SLAB ELEVATION DETAIL - West
 Scale: 1" = 30'-0"



SECSA BUILDING ELEVATION DETAIL - North
 Scale: 1" = 60'-0"

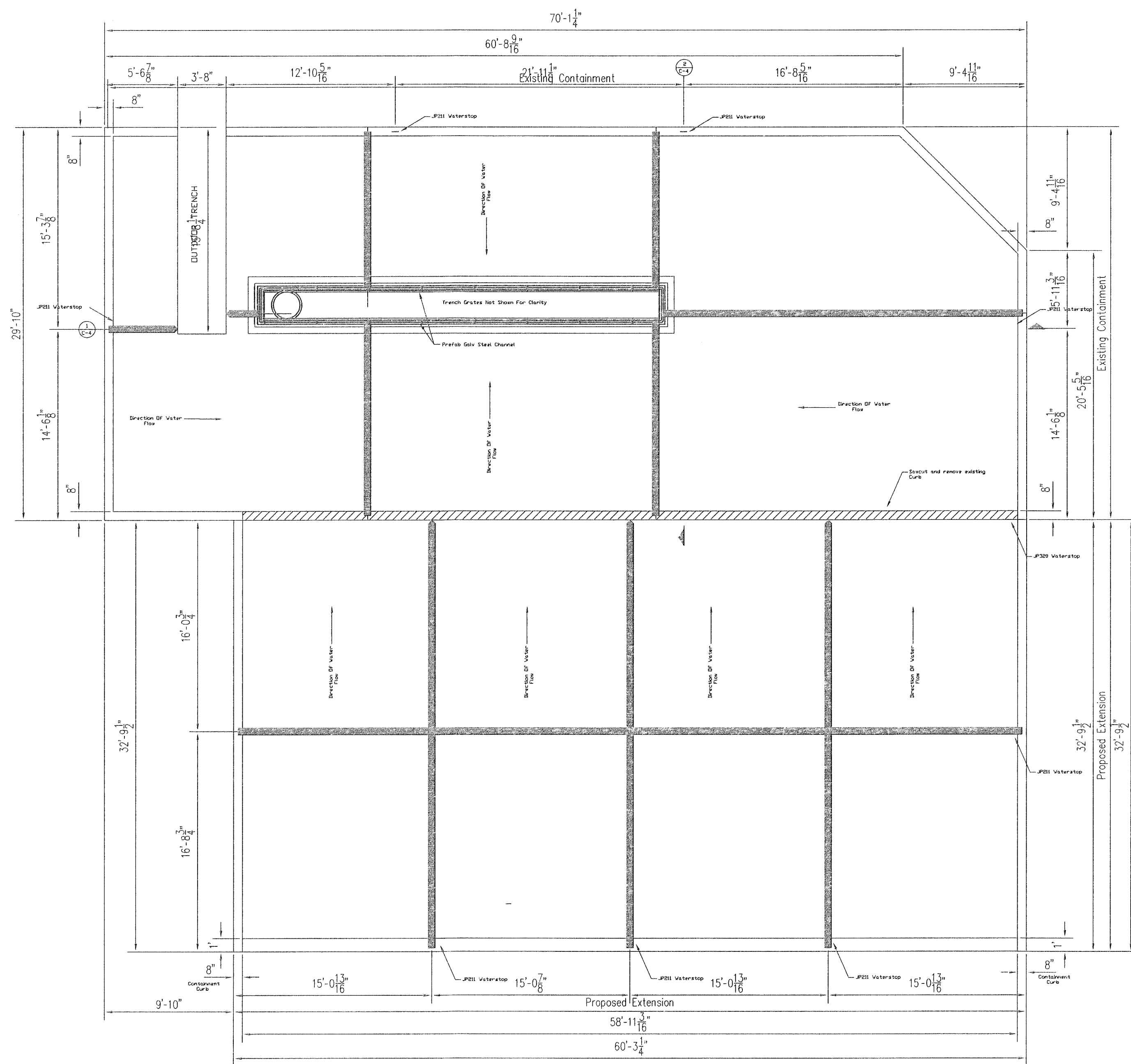
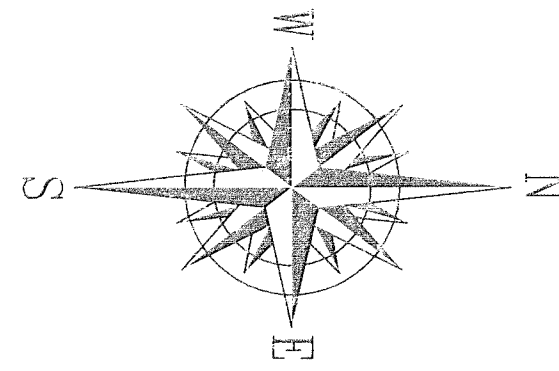


SECSA BUILDING ELEVATION DETAIL - West
 Scale: 1" = 60'-0"

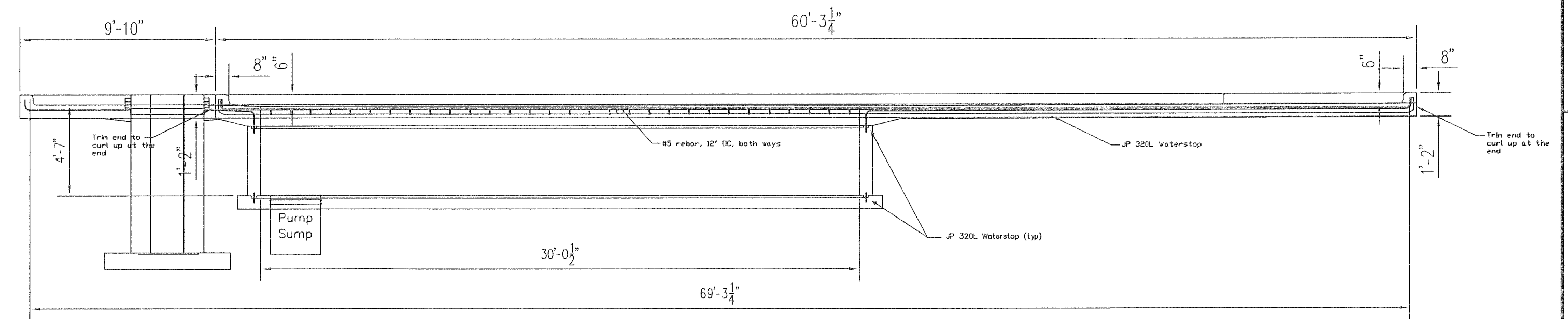
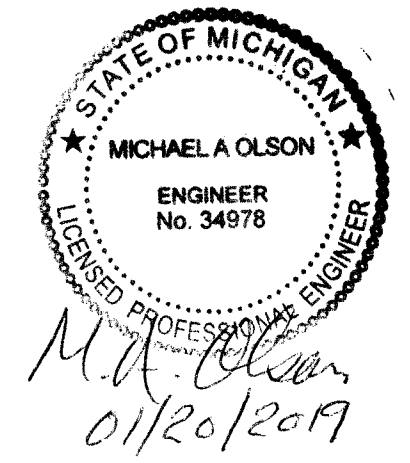
A	B	C	D	E

FILENAME:	
PROJ. FILE	MDI
DATE:	11/30/17
SHEET	OF
SCALE:	1"=60'-0"
DRN BY:	CAG

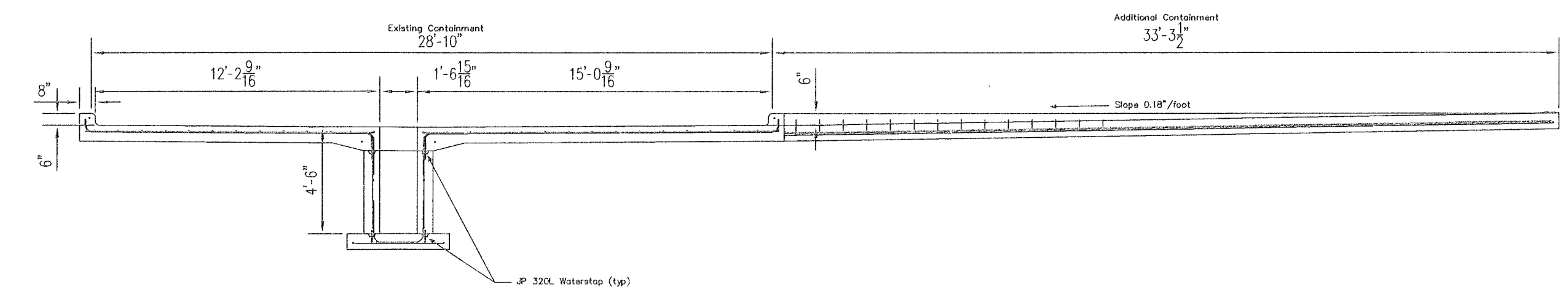
MICHIGAN DISPOSAL WASTE TREATMENT PLANT
 SECS BUILDING
 SECONDARY CONTAINMENT SPECIFICATIONS



TRAILER CONTAINMENT SLAB WALL PLAN DETAIL
Scale: 1" = 6'-0"



TRAILER CONTAINMENT SLAB PLAN DETAIL 1
Scale: 1" = 5'-0" C-4



TRAILER CONTAINMENT SLAB PLAN DETAIL 2
Scale: 1" = 5'-0" C-4

REVISIONS	A	B	C	D	E

FILENAME:	
PROJ. FILE	MDI
DATE:	7/31/09
SHEET	___ OF ___
SCALE:	1"=5'-0"
DRN BY:	CAG

MICHIGAN DISPOSAL WASTE TREATMENT PLANT
SECS TRAILER CONTAINMENT AREA
CONTAINMENT AREA EXPANSION DETAILS