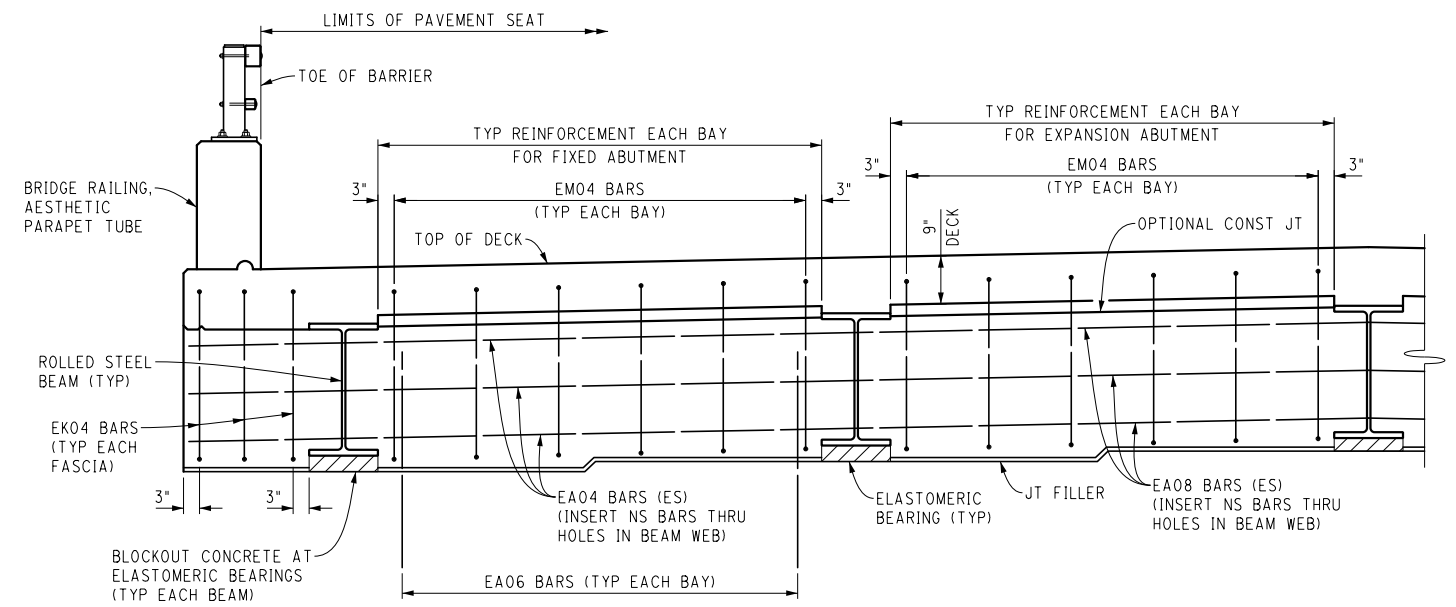
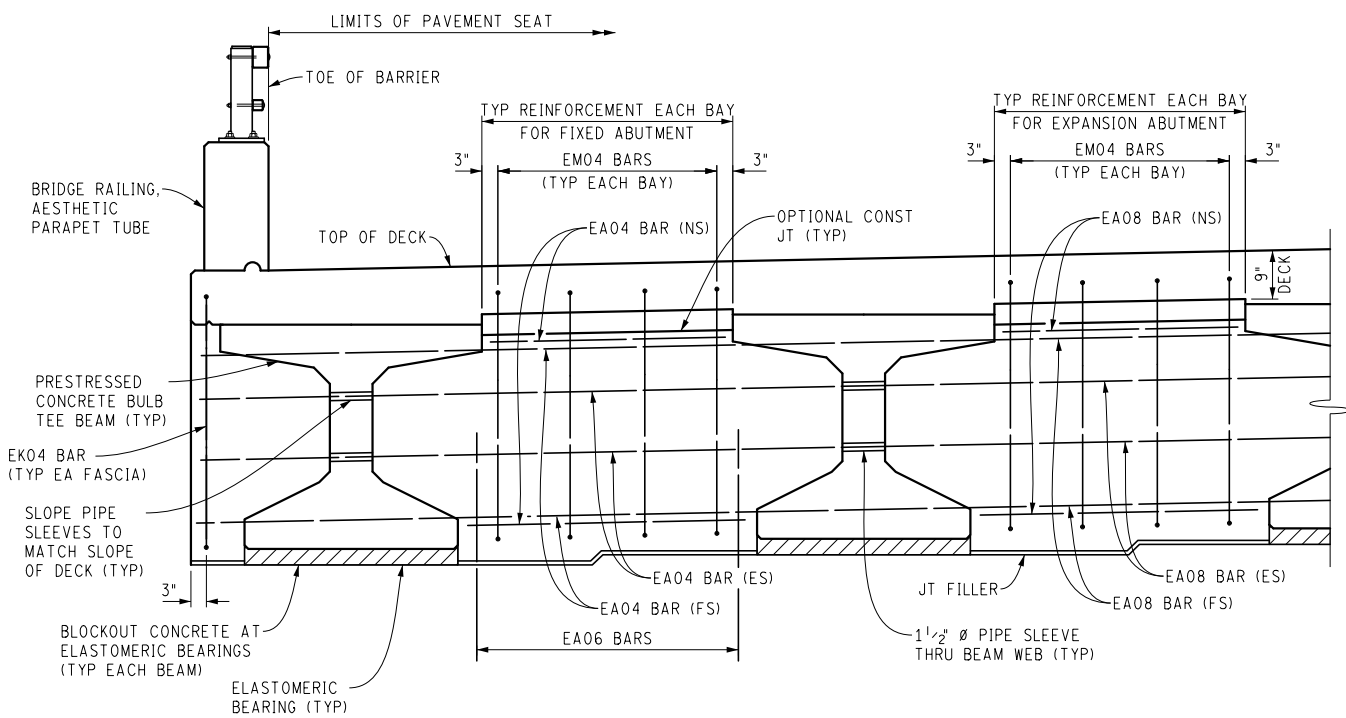


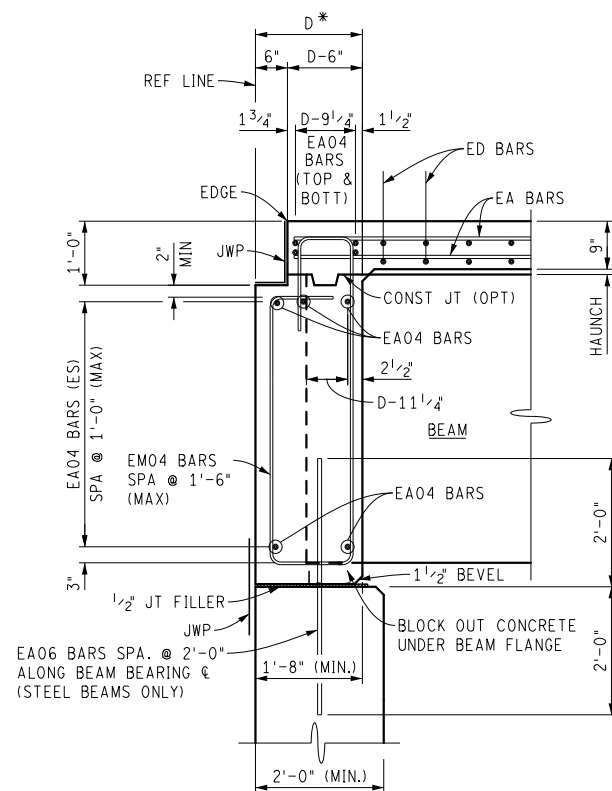
TYPICAL ABUTMENT BACKWALL - SPREAD BOX BEAM



TYPICAL ABUTMENT BACKWALL - ROLLED STEEL BEAM



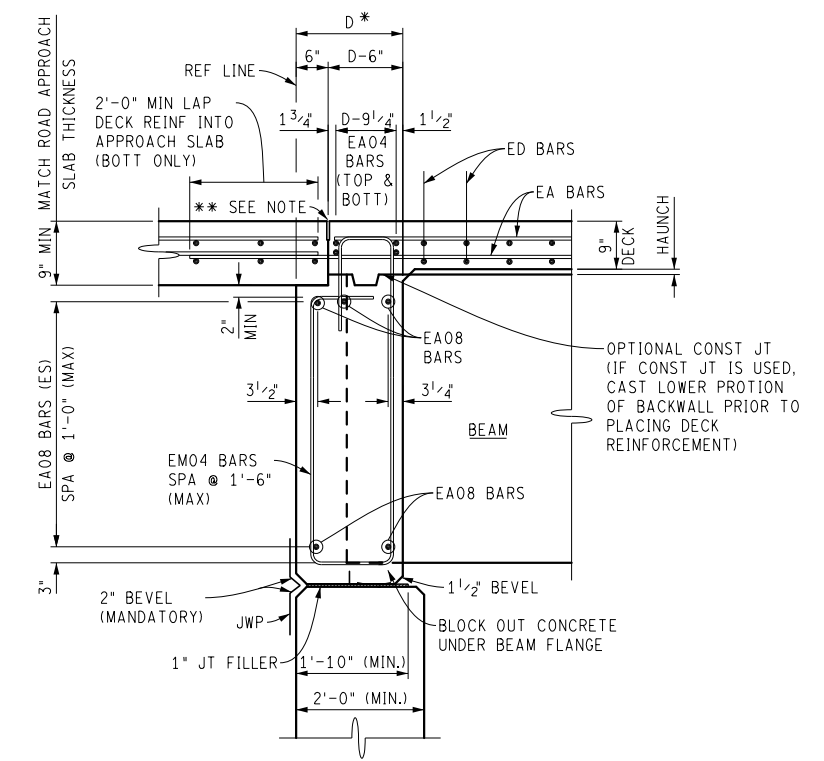
TYPICAL ABUTMENT BACKWALL - BULB TEE BEAM



TYPICAL BACKWALL SECTION (FIXED)

CAST LOWER PORTION OF THE BACKWALL PRIOR TO PLACING DECK REINFORCEMENT. (USE WITH MANDATORY JOINT)

IF A CONSTRUCTION JOINT IS USED, CAST THE LOWER PORTION OF THE BACKWALL PRIOR TO PLACING DECK REINFORCEMENT.



TYPICAL BACKWALL SECTION (EXPANSION)

CAST LOWER PORTION OF THE BACKWALL PRIOR TO PLACING DECK REINFORCEMENT. (USE WITH MANDATORY JOINT)

IF A CONSTRUCTION JOINT IS USED, CAST THE LOWER PORTION OF THE BACKWALL PRIOR TO PLACING DECK REINFORCEMENT.

FOR INFORMATION ONLY:

\* THE BACKWALL THICKNESS "D" IS THE GREATER OF:

- 1'-8" OR THE BEARING DIMENSION PLUS 1/2 THE BEARING WIDTH - (FOR 90° CROSSINGS)
- 1'-8" OR THE BEARING DIMENSION PLUS THE PRODUCT OF 1/2 FLANGE WIDTH AND COSINE ANGLE OF CROSSING - (FOR SKEWED CROSSINGS)

THE ABOVE NOTES ARE FOR INFORMATION ONLY AND SHOULD NOT BE INCLUDED ON THIS SHEET.

NOTES:

\*\* IF A CONSTRUCTION JOINT IS NOT USED, THE CONTRACTOR IS TO PROVIDE A SAWED JOINT (1/2 DECK SLAB THICKNESS)\* DEEP BY 1/4" WIDE (MINIMUM) IN THE TOP OF SLAB AT TRANSVERSE CONSTRUCTION JOINTS OVER THE BACKWALL. IF A CONSTRUCTION JOINT IS NOT USED, THE JOINT IS TO BE SAWED WITHIN 24 HOURS OF PLACING THE CURING AND IS TO BE FILLED TO 1/2" BELOW TOP OF CONCRETE WITH POLYURETHANE OR POLYURETHANE HYBRID SEALANT.

NS DENOTES NEAR SIDE.

FS DENOTES FAR SIDE.

ES DENOTES EACH SIDE.

JWP DENOTES JOINT WATERPROOFING.

FINAL ROW PLAN REVISIONS (SUBMITTAL DATE: )						NO SCALE	DATE: 05/09/18	CS:	SUPERSTRUCTURE DETAILS	DRAWING	SHEET	
NO.	DATE	AUTH	DESCRIPTION	NO.	DATE		AUTH	DESCRIPTION		JN:	DECK	SECT
												002

FILE: Deck\_002.dgn

TSC: