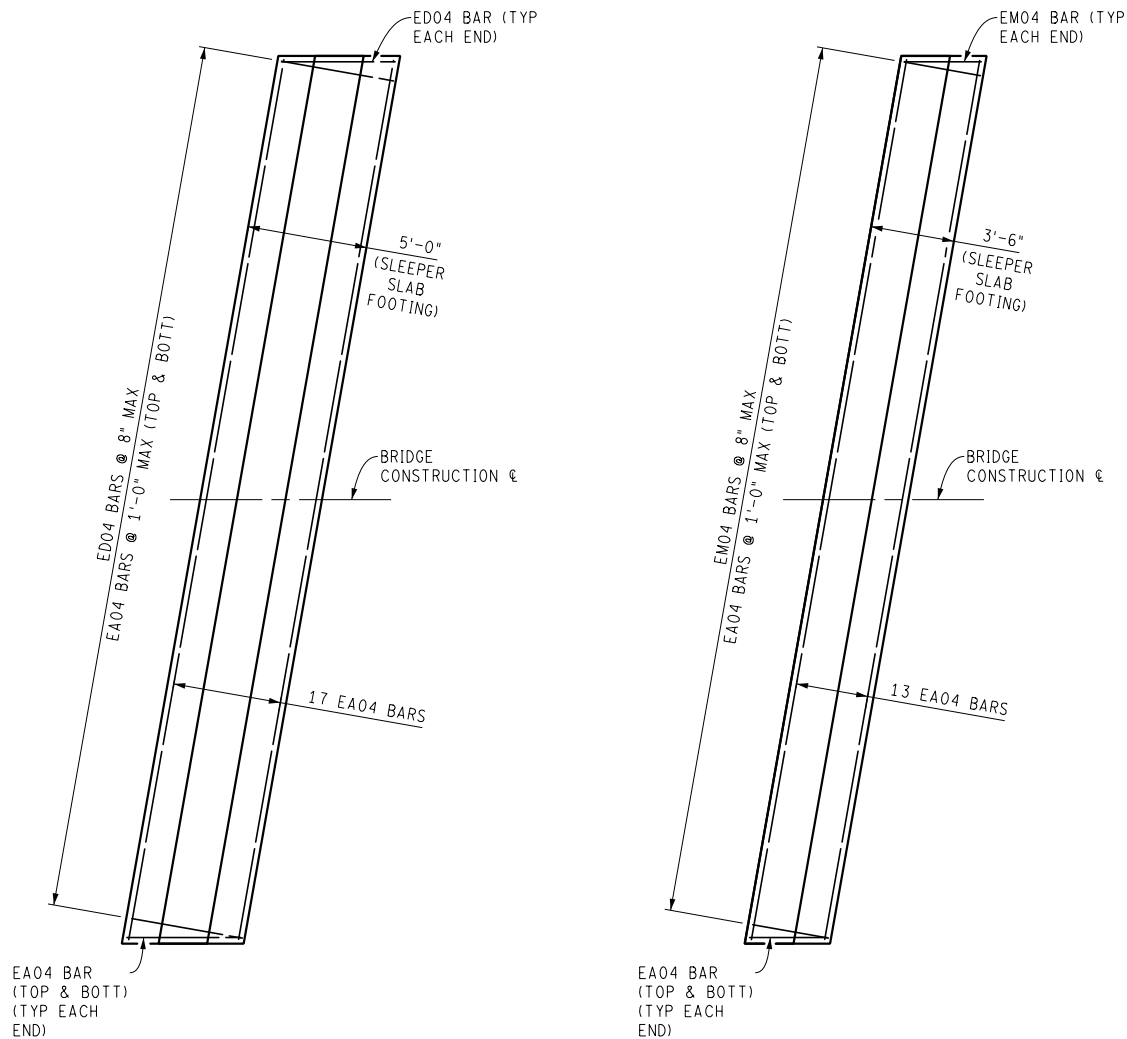


PLAN OF APPROACH SLAB (EXPANSION SIDE)

(ANGLE OF CROSSING 60° OR GREATER)
(SLEEPER SLAB FOR CONCRETE APPROACH SHOWN)

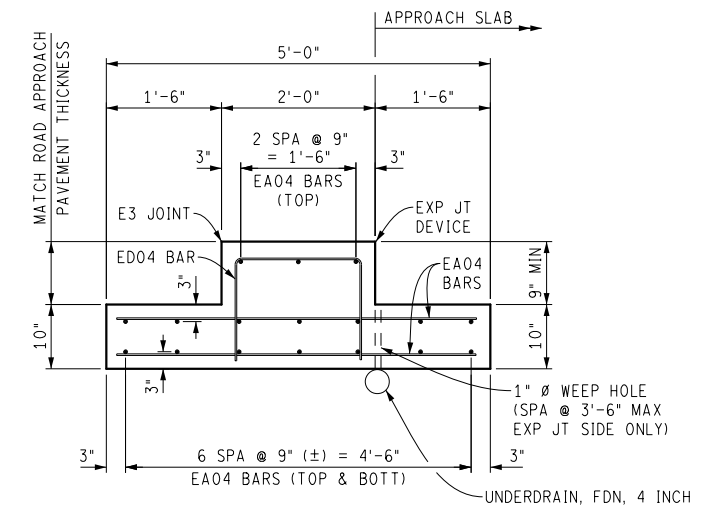


PLAN OF SLEEPER SLAB

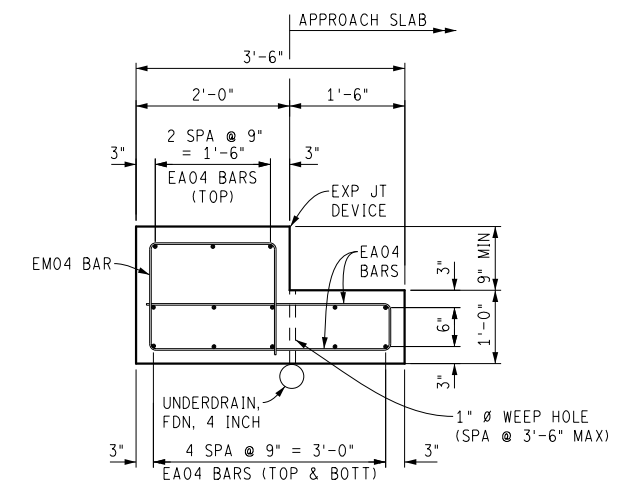
(ANGLE OF CROSSING 60° OR GREATER)
(CONCRETE APPROACH)

PLAN OF SLEEPER SLAB

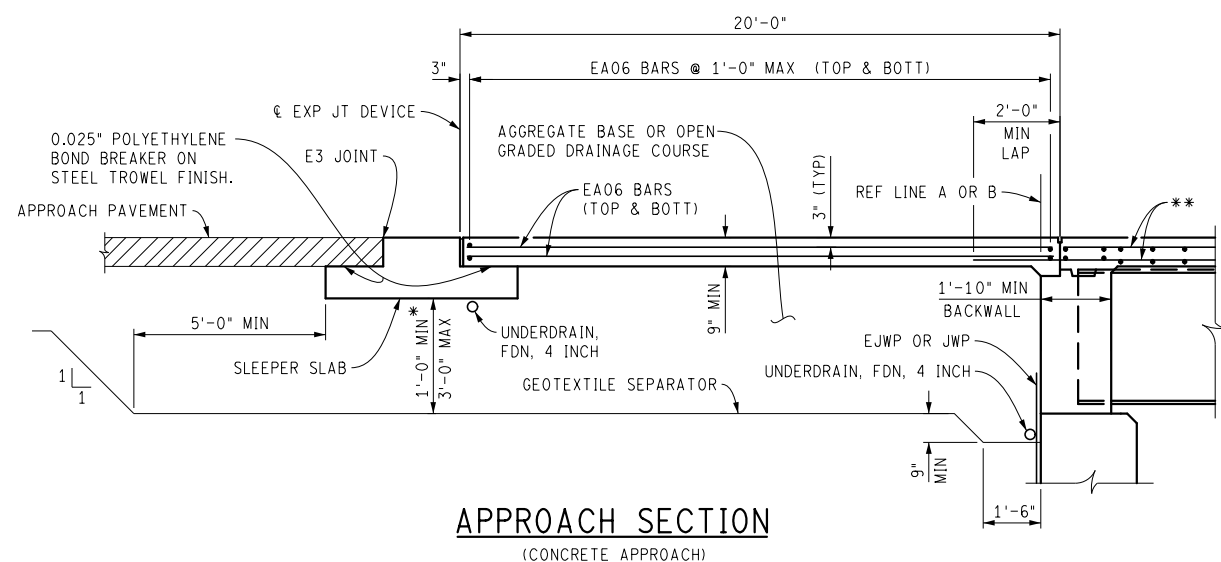
(ANGLE OF CROSSING 60° OR GREATER)
(HMA APPROACH)



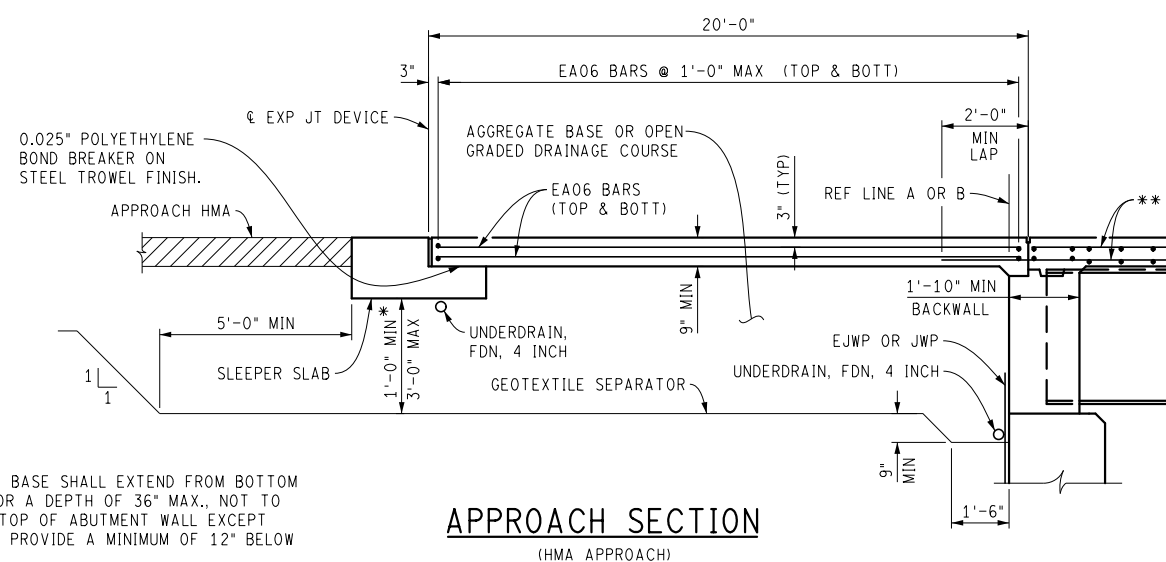
SECTION THRU SLEEPER SLAB WITH CONCRETE APPROACH



SECTION THRU SLEEPER SLAB WITH HMA APPROACH



APPROACH SECTION
(CONCRETE APPROACH)



APPROACH SECTION
(HMA APPROACH)

* OGDC OR AGGREGATE BASE SHALL EXTEND FROM BOTTOM OF SLEEPER SLAB FOR A DEPTH OF 36" MAX., NOT TO EXTEND BELOW THE TOP OF ABUTMENT WALL EXCEPT WHEN NECESSARY TO PROVIDE A MINIMUM OF 12" BELOW SLEEPER SLAB.

NOTE:

USE APPROACH SLAB DETAILS ON STANDARD PLAN R-45 SERIES WHEN LENGTH OF BRIDGE CONTRIBUTING TO EXPANSION AT AN ABUTMENT IS LESS THAN 50 FEET FOR CONCRETE BEAM BRIDGES, AND LESS THAN 25 FEET FOR ROLLED STEEL BRIDGES.

THE ABOVE NOTE IS FOR INFORMATION ONLY AND SHOULD NOT BE INCLUDED ON THIS SHEET.

** EA04 BARS (TOP & BOTT)
(FOR SPREAD BOX BEAM)
EA05 BARS (TOP & BOTT)
(FOR STEEL BEAMS)
EA03 BARS (SINGLE LAYER)
(FOR SIDE BY SIDE BOX BEAMS)

FINAL ROW PLAN REVISIONS				(SUBMITTAL DATE:)			
NO.	DATE	AUTH	DESCRIPTION	NO.	DATE	AUTH	DESCRIPTION

NO SCALE

FILE: Deck_003.dgn

DATE: 05/09/18

DESIGN UNIT:

TSC:

CS:

JN:

SUPERSTRUCTURE DETAILS

DRAWING SHEET

DECK SECT

003