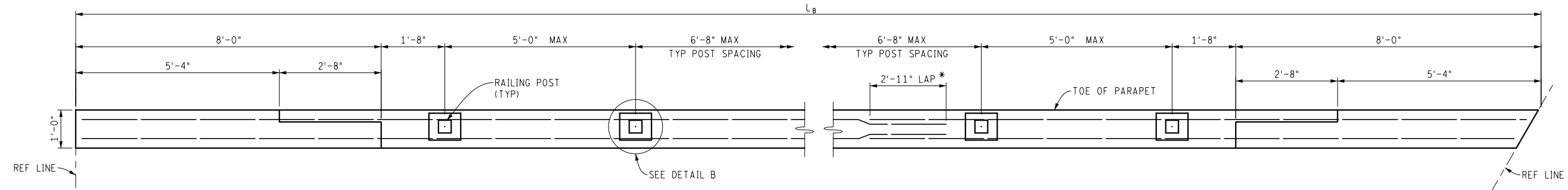
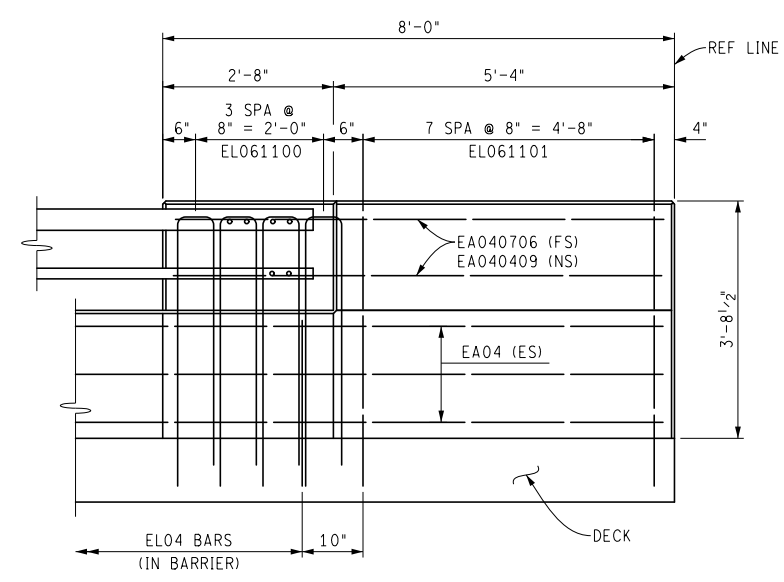


PLAN OF BARRIER
(ANGLE OF CROSSING 90°)
(AESTHETIC PARAPET TUBE)

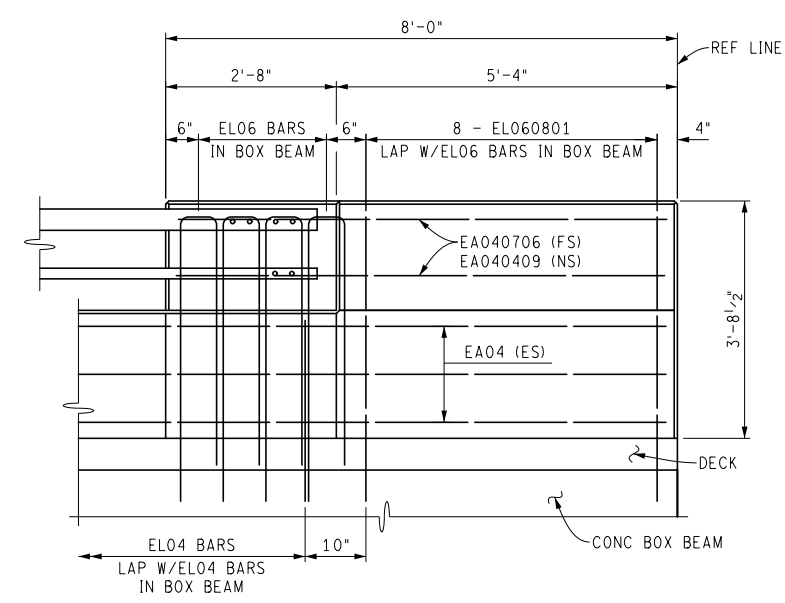


PLAN OF BARRIER
(ANGLE OF CROSSING LESS THAN 90°)
(AESTHETIC PARAPET TUBE)

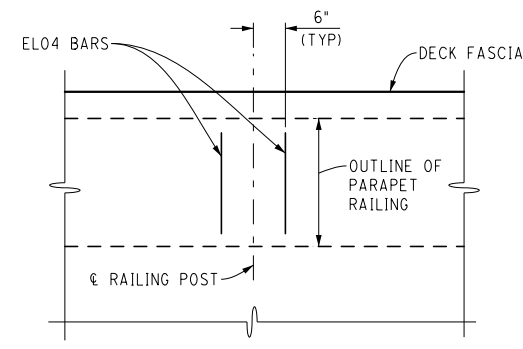
* OMIT LAP FOR SPANS 40'-0" OR UNDER



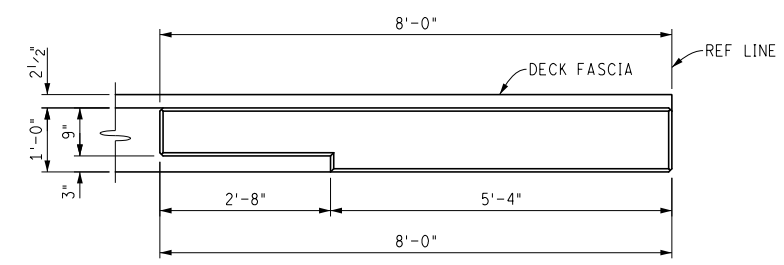
END WALL ELEVATION
(SPREAD BOX BEAM, BULB T BEAM, ROLLED STEEL BEAM)



END WALL ELEVATION
(SIDE BY SIDE BOX BEAM)



DETAIL B
PLACE 2 ADDITIONAL ELO4 BARS AT EACH RAILING POST AS SHOWN.
ADJUST SPACING OF ADJACENT REINFORCEMENT IF NECESSARY.



END WALL PLAN

NOTES:
ES DENOTES EACH SIDE.
FS DENOTES FAR SIDE.
NS DENOTES NEAR SIDE.
SEE STANDARD PLAN B-25 SERIES FOR ADDITIONAL RAILING DETAILS.

FINAL ROW PLAN REVISIONS (SUBMITTAL DATE:)						NO SCALE	DATE: 05/09/18	CS:	SUPERSTRUCTURE DETAILS	DRAWING	SHEET	
NO.	DATE	AUTH	DESCRIPTION	NO.	DATE		AUTH	DESCRIPTION		JN:	DECK	SECT
											004	

FILE: Deck_004.dgn

DESIGN UNIT:
TSC: