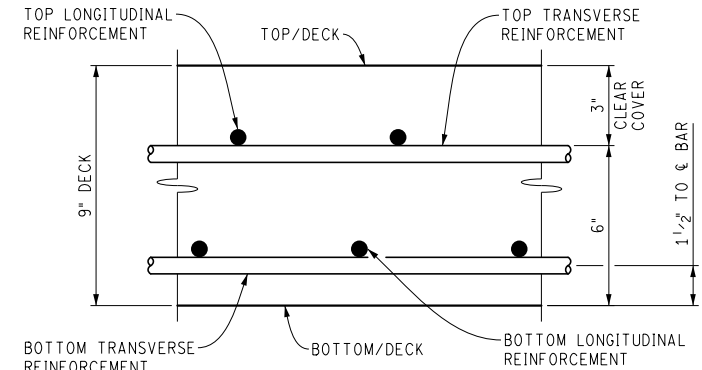


\* PERPENDICULAR TO PLANE OF SLAB - NORMAL CROWN SECTION AND HIGH SIDE OF SUPERELEVATED SECTIONS

**DECK SECTION**

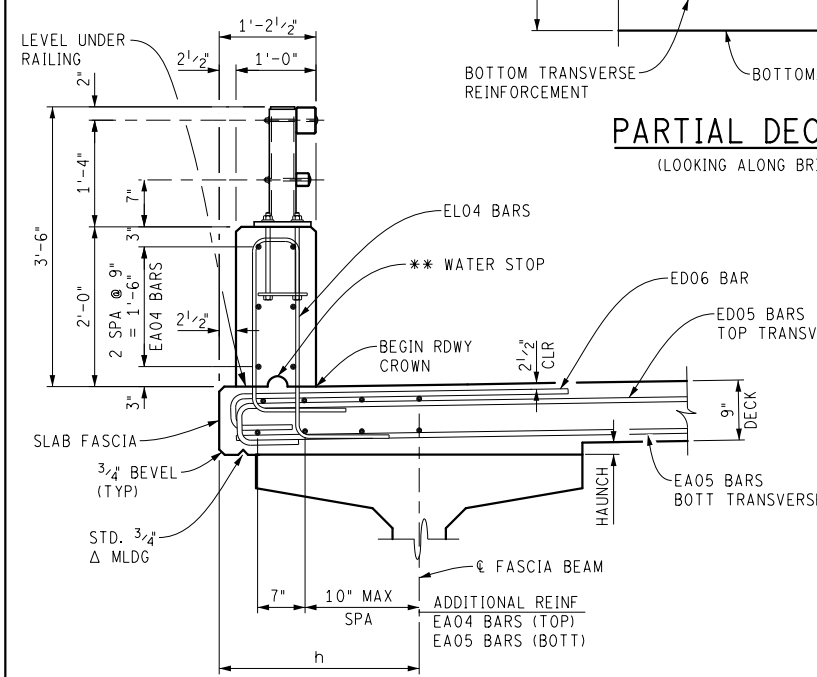
(AESTHETIC PARAPET TUBE RAILING SHOWN)



**PARTIAL DECK SECTION**

(LOOKING ALONG BRIDGE CONST E)

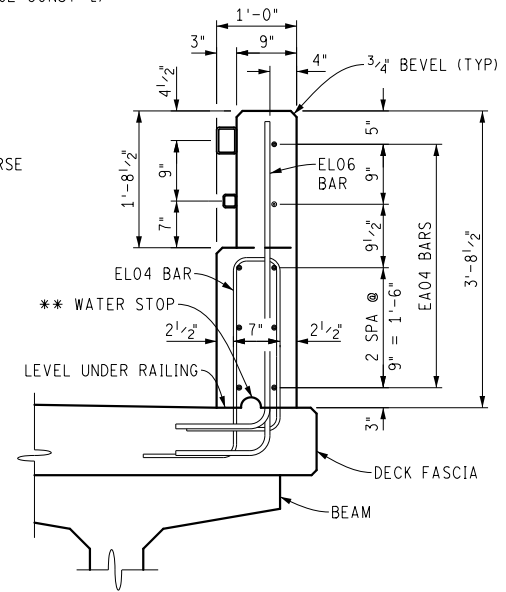
BEAM SPAN (E BRG-E BRG) (FT)	DIMENSION TABLE								
	DIMENSION								
	OUT-TO-OUT "a"	CLR RDWY "b"	"c"	"d"	BEAM SPACING "e" "f"		BEAM SIZE "g"	"h"	"j"
70	32'-6"	30'-0"	15'-0"	4	6'-10 1/2"	27'-6"	36" x 49"	2'-6"	5 1/2"
	36'-6"	34'-0"	17'-0"	4	7'-10 1/2"	31'-6"	36" x 49"	2'-6"	5 1/2"
	42'-6"	40'-0"	20'-0"	4	9'-4 1/2"	37'-6"	36" x 49"	2'-6"	5 1/2"
80	32'-6"	30'-0"	15'-0"	4	6'-10 1/2"	27'-6"	36" x 49"	2'-6"	5 1/2"
	36'-6"	34'-0"	17'-0"	4	7'-10 1/2"	31'-6"	36" x 49"	2'-6"	5 1/2"
	42'-6"	40'-0"	20'-0"	4	9'-4 1/2"	37'-6"	36" x 49"	2'-6"	5 1/2"
90	32'-6"	30'-0"	15'-0"	4	6'-10 1/2"	27'-6"	42" x 49"	2'-6"	5 1/2"
	36'-6"	34'-0"	17'-0"	4	7'-10 1/2"	31'-6"	42" x 49"	2'-6"	5 1/2"
	42'-6"	40'-0"	20'-0"	4	9'-4 1/2"	37'-6"	42" x 49"	2'-6"	5 1/2"
100	32'-6"	30'-0"	15'-0"	4	6'-10 1/2"	27'-6"	48" x 49"	2'-6"	5 1/2"
	36'-6"	34'-0"	17'-0"	4	7'-10 1/2"	31'-6"	48" x 49"	2'-6"	5 1/2"
	42'-6"	40'-0"	20'-0"	4	9'-4 1/2"	37'-6"	48" x 49"	2'-6"	5 1/2"
110	32'-6"	30'-0"	15'-0"	4	6'-10 1/2"	27'-6"	48" x 49"	2'-6"	5 1/2"
	36'-6"	34'-0"	17'-0"	4	7'-10 1/2"	31'-6"	48" x 49"	2'-6"	5 1/2"
	42'-6"	40'-0"	20'-0"	4	8'-10 1/2"	35'-6"	48" x 49"	3'-6"	1'-5 1/2"



**TYPICAL RAILING SECTION**

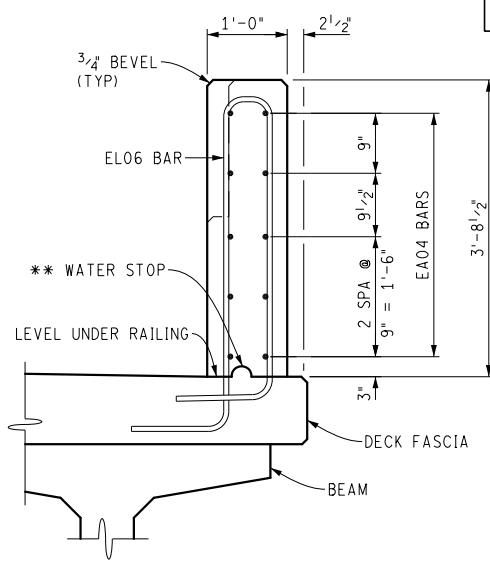
(AESTHETIC PARAPET TUBE RAILING SHOWN)

\*\* 2" HIGH x 4" LONG (±), FORMING NOT REQUIRED



**SECTION AT END WALL**

(TUBE CONNECTION AREA)



**SECTION AT END WALL**

(FULL CONCRETE AREA)

**FOR INFORMATION ONLY:**

DECK CROSS SECTION IS SHOWN WITH BRIDGE RAILING AESTHETIC PARAPET TUBE. OTHER RAILINGS ARE AVAILABLE. SEE MDOT BRIDGE DESIGN GUIDE.

THE ABOVE NOTE IS FOR INFORMATION ONLY AND SHOULD NOT BE INCLUDED ON THIS SHEET.

**NOTES:**

DISTRIBUTION STEEL FOR BULB TEE BEAMS SHALL BE EQUALLY SPACED SUCH THAT THE DISTANCE BETWEEN THE END BARS AND THE BEAM E DOES NOT EXCEED 1'-0".

FOR SUPERELEVATED SECTIONS REFER TO MDOT DESIGN GUIDES FOR DETERMINING THE CROSS SLOPE.

FINAL ROW PLAN REVISIONS (SUBMITTAL DATE: )								NO SCALE	DATE: 05/09/18	CS:	SUPERSTRUCTURE DETAILS		DRAWING	SHEET
NO.	DATE	AUTH	DESCRIPTION	NO.	DATE	AUTH	DESCRIPTION		DESIGN UNIT:	JN:	BULB-TEE BEAM		DECK	SECT
									TSC:				007	