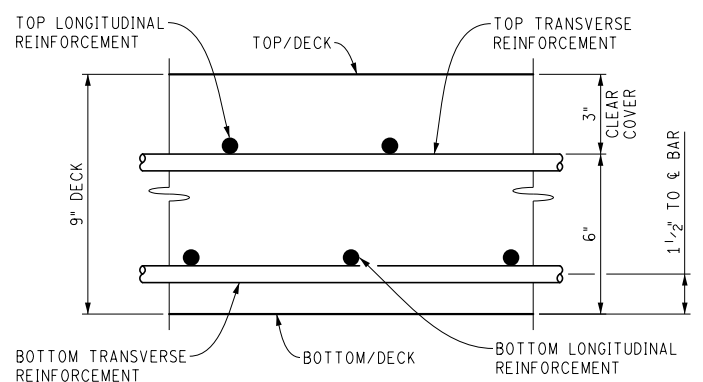
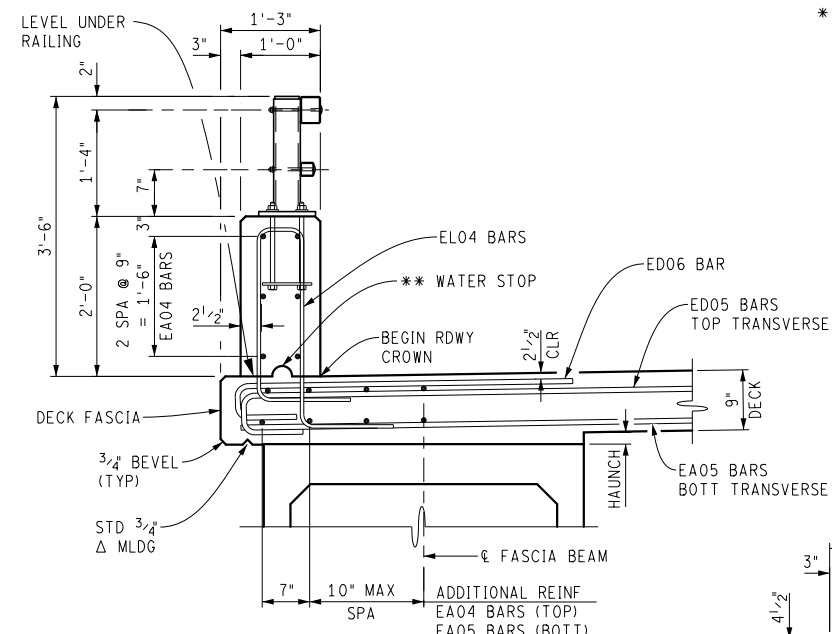
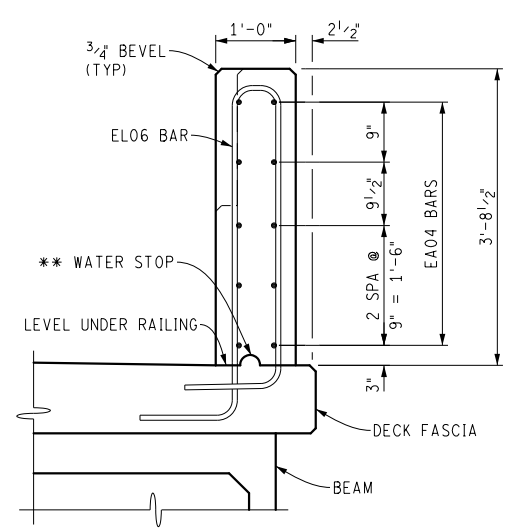


* PERPENDICULAR TO PLANE OF SLAB - NORMAL CROWN SECTION AND HIGH SIDE OF SUPERELEVATED SECTIONS

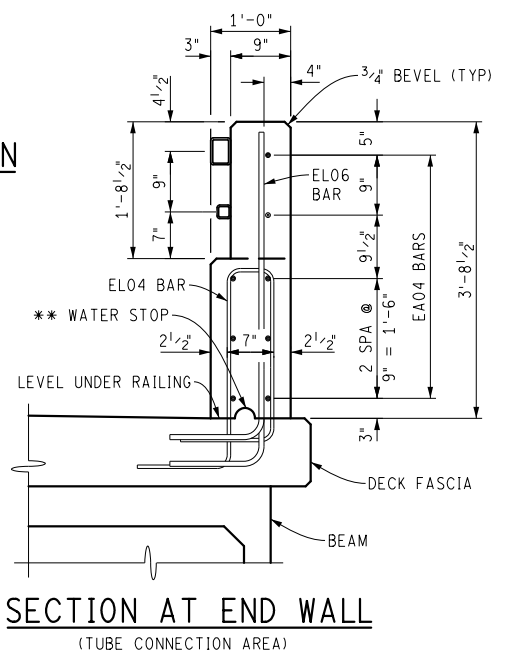
DECK SECTION
(AESTHETIC PARAPET TUBE RAILING SHOWN)



PARTIAL DECK SECTION
(LOOKING ALONG BRIDGE CONST €)



TYPICAL RAILING SECTION
(AESTHETIC PARAPET TUBE RAILING SHOWN)



SECTION AT END WALL
(TUBE CONNECTION AREA)

SECTION AT END WALL
(FULL CONCRETE AREA)

DIMENSION TABLE - 36" WIDE BEAMS									
BEAM SPAN (€ BRG-€ BRG) (FT)	DIMENSION						BEAM SIZE "g"	"h"	"j"
	OUT-TO-OUT "a"	CLR RDWY "b"	"c"	BEAM SPACING					
20	32'-6"	30'-0"	15'-0"	3	9'-2"	27'-6"	17" x 36"	2'-6"	1'-0"
	36'-6"	34'-0"	17'-0"	4	7'-10 1/2"	31'-6"	17" x 36"	2'-6"	1'-0"
	42'-6"	40'-0"	20'-0"	4	9'-4 1/2"	37'-6"	17" x 36"	2'-6"	1'-0"
30	32'-6"	30'-0"	15'-0"	3	9'-2"	27'-6"	21" x 36"	2'-6"	1'-0"
	36'-6"	34'-0"	17'-0"	4	7'-10 1/2"	31'-6"	21" x 36"	2'-6"	1'-0"
	42'-6"	40'-0"	20'-0"	4	9'-4 1/2"	37'-6"	21" x 36"	2'-6"	1'-0"
40	32'-6"	30'-0"	15'-0"	3	9'-2"	27'-6"	21" x 36"	2'-6"	1'-0"
	36'-6"	34'-0"	17'-0"	4	7'-10 1/2"	31'-6"	21" x 36"	2'-6"	1'-0"
	42'-6"	40'-0"	20'-0"	4	9'-4 1/2"	37'-6"	21" x 36"	2'-6"	1'-0"

DIMENSION TABLE - 48" WIDE BEAMS									
BEAM SPAN (€ BRG-€ BRG) (FT)	DIMENSION						BEAM SIZE "g"	"h"	"j"
	OUT-TO-OUT "a"	CLR RDWY "b"	"c"	BEAM SPACING					
50	32'-6"	30'-0"	15'-0"	3	9'-2"	27'-6"	21" x 48"	2'-6"	6"
	36'-6"	34'-0"	17'-0"	4	7'-10 1/2"	31'-6"	21" x 48"	2'-6"	6"
	42'-6"	40'-0"	20'-0"	4	9'-4 1/2"	37'-6"	21" x 48"	2'-6"	6"
60	32'-6"	30'-0"	15'-0"	4	6'-10 1/2"	27'-6"	21" x 48"	2'-6"	6"
	36'-6"	34'-0"	17'-0"	4	7'-10 1/2"	31'-6"	21" x 48"	2'-6"	6"
	42'-6"	40'-0"	20'-0"	5	7'-6"	37'-6"	21" x 48"	2'-6"	6"
70	32'-6"	30'-0"	15'-0"	4	6'-10 1/2"	27'-6"	27" x 48"	2'-6"	6"
	36'-6"	34'-0"	17'-0"	4	7'-10 1/2"	31'-6"	27" x 48"	2'-6"	6"
	42'-6"	40'-0"	20'-0"	5	7'-6"	37'-6"	27" x 48"	2'-6"	6"
80	32'-6"	30'-0"	15'-0"	4	6'-10 1/2"	27'-6"	33" x 48"	2'-6"	6"
	36'-6"	34'-0"	17'-0"	4	7'-10 1/2"	31'-6"	33" x 48"	2'-6"	6"
	42'-6"	40'-0"	20'-0"	5	7'-6"	37'-6"	33" x 48"	2'-6"	6"
90	32'-6"	30'-0"	15'-0"	4	6'-10 1/2"	27'-6"	39" x 48"	2'-6"	6"
	36'-6"	34'-0"	17'-0"	4	7'-10 1/2"	31'-6"	39" x 48"	2'-6"	6"
	42'-6"	40'-0"	20'-0"	5	7'-6"	37'-6"	39" x 48"	2'-6"	6"
100	32'-6"	30'-0"	15'-0"	4	6'-10 1/2"	27'-6"	39" x 48"	2'-6"	6"
	36'-6"	34'-0"	17'-0"	4	7'-10 1/2"	31'-6"	39" x 48"	2'-6"	6"
	42'-6"	40'-0"	20'-0"	5	7'-6"	37'-6"	39" x 48"	2'-6"	6"
110	32'-6"	30'-0"	15'-0"	4	6'-10 1/2"	27'-6"	48" x 48"	2'-6"	6"
	36'-6"	34'-0"	17'-0"	4	7'-10 1/2"	31'-6"	48" x 48"	2'-6"	6"
	42'-6"	40'-0"	20'-0"	5	7'-6"	37'-6"	48" x 48"	2'-6"	6"

NOTES:

DISTRIBUTION STEEL FOR SPREAD BOX BEAMS SHALL BE EQUALLY SPACED SUCH THAT THE DISTANCE BETWEEN THE END BARS AND THE BEAM € DOES NOT EXCEED 1'-0".
FOR SUPERELEVATED SECTIONS REFER TO MDOT DESIGN GUIDES FOR DETERMINING THE CROSS SLOPE.

FOR INFORMATION ONLY:

DECK CROSS SECTION IS SHOWN WITH BRIDGE RAILING AESTHETIC PARAPET TUBE. OTHER RAILINGS ARE AVAILABLE. SEE MDOT BRIDGE DESIGN GUIDE.
THE ABOVE NOTE IS FOR INFORMATION ONLY AND SHOULD NOT BE INCLUDED ON THIS SHEET.

** 2" HIGH x 4" LONG (±), FORMING NOT REQUIRED

FINAL ROW PLAN REVISIONS (SUBMITTAL DATE:)								NO SCALE		DATE: 05/09/18	CS:	SUPERSTRUCTURE DETAILS		DRAWING	SHEET
NO.	DATE	AUTH	DESCRIPTION	NO.	DATE	AUTH	DESCRIPTION			DESIGN UNIT:	JN:	SPREAD BOX BEAM		DECK	SECT
										TSC:				005	

FILE: Deck_SBB_002.dgn