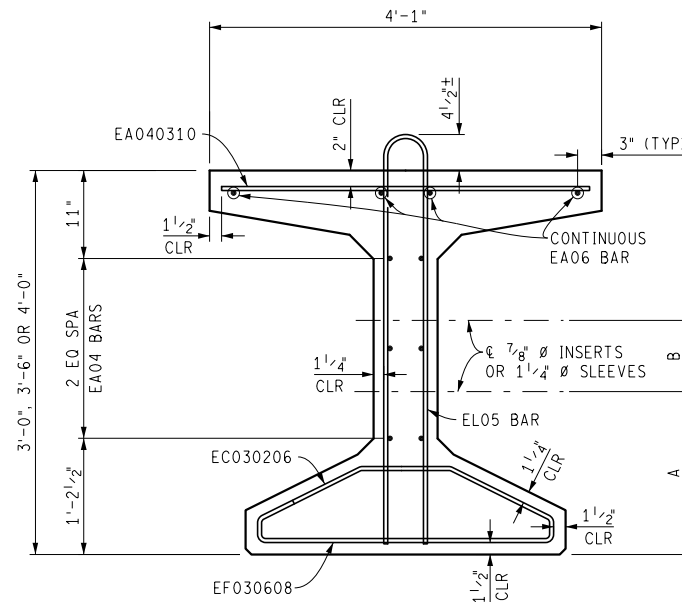


**SECTION A-A**

SHOWING REINFORCEMENT LAYOUT AT END SECTION

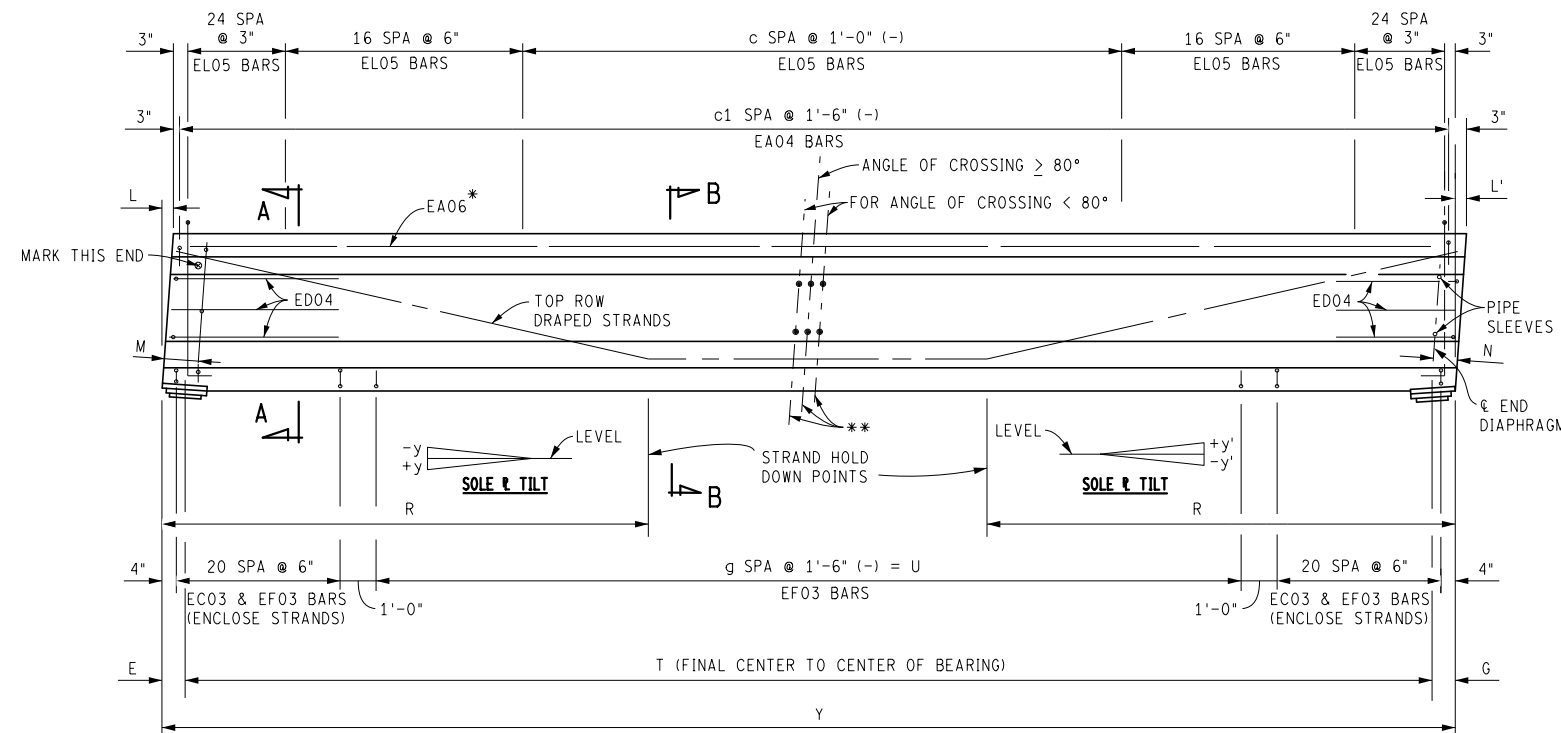
\* REMOVE BLOCKOUT IN FORM IF REQUIRED FOR COMPRESSION FORCES OR BEAM STABILITY

\*\* SLOPE PIPE SLEEVES TO MATCH SLOPE OF REINFORCEMENT IN BACKWALL



**SECTION B-B**

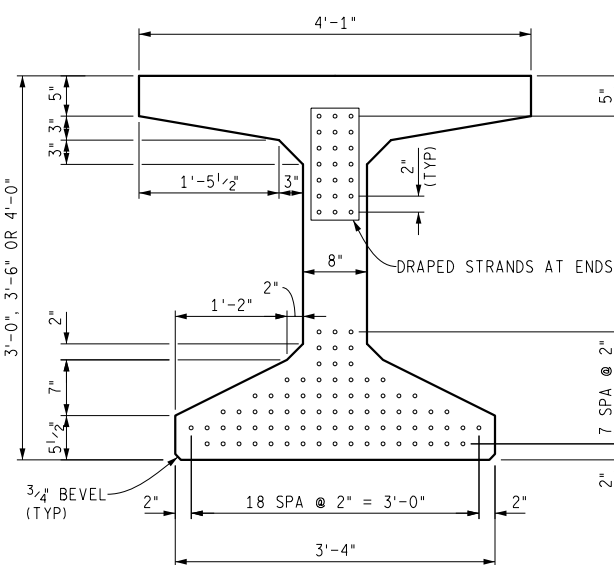
SHOWING REINFORCEMENT LAYOUT AT MIDSPAN



**ELEVATION**

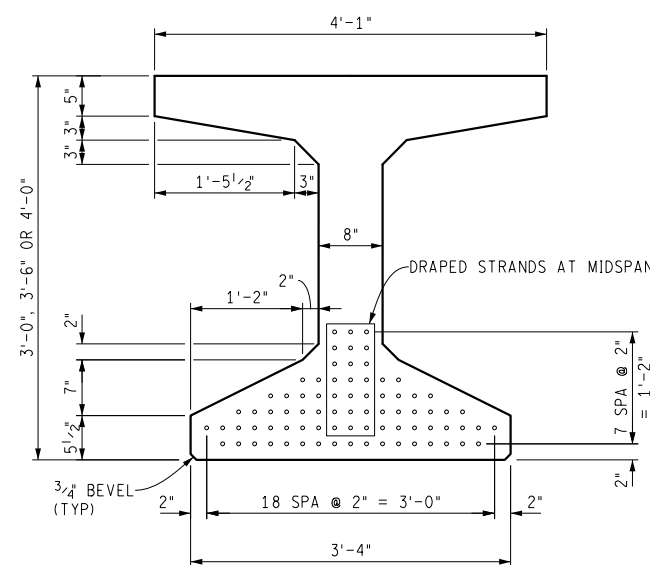
\* BAR LENGTH = Y-3"

\*\* @ INTERMEDIATE DIAPHRAGM & @ INSERTS (EXTERIOR BEAM) & @ PIPE SLEEVES (INTERIOR BEAM) OMIT FERRULE LOOP INSERTS ON OUTSIDE OF FASCIA BEAMS



**SECTION A-A**

SHOWING STRAND ARRANGEMENT AT END SECTION



**SECTION B-B**

SHOWING STRAND ARRANGEMENT AT MIDSPAN

BEAM DIMENSIONS					
BEAM SPAN (€ BRG-€ BRG)	70'	80'	90'	100'	110'
BEAM DEPTH	36"	36"	42"	48"	48"
c	42	52	62	72	82
c1	47	53	60	67	73
E	7"	7 1/2"	8"	8"	8 1/2"
g	32	39	45	52	59
G	7"	7 1/2"	8"	8"	8 1/2"
L ***	TBD	TBD	TBD	TBD	TBD
L' ***	TBD	TBD	TBD	TBD	TBD
M *	TBD	TBD	TBD	TBD	TBD
N *	TBD	TBD	TBD	TBD	TBD
R	28	32	36	40	44
T	70'-0"	80'-0"	90'-0"	100'-0"	110'-0"
U	47'-4"	57'-4"	67'-4"	77'-4"	87'-4"
Y	71'-2"	81'-3"	91'-4"	101'-4"	111'-5"
APPROX WEIGHT (TONS)	32	36.6	43.4	50.8	55.8

\*\*\* FORMING DIMENSION. IF L OR L' IS COMPUTED TO BE BETWEEN -1/2" & +1/2" USE L=0 OR L'=0.

\* MEASURED ALONG BEAM €.

BEAM LINE	SPAN 1	
	ABUT A	ABUT B
	y	y'
BEAMS A-E		

**FOR INFORMATION ONLY:**

TILT SOLE PLATE AS REQUIRED WHEN THE CALCULATED BEVEL EXCEEDS 1%.

SOLE PLATE TILT TO BE DETERMINED BY THE DESIGNER TAKING INTO CONSIDERATION BEAM CAMBER AND BRIDGE PROFILE.

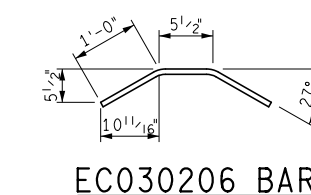
USE HAUNCH REINFORCEMENT WHEN BEAM HAUNCH > 3".

FOR DIMENSIONS "A" & "B", SEE DWG "BTB 003".

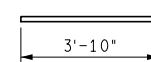
VARIABLES IN BEAM DIMENSIONS TABLE WITH VALUES NOTED "TBD" SHALL BE DETERMINED BY THE DESIGNER BASED ON THE ACTUAL BEAM LENGTH.

"L" & "L'" IN BEAM DIMENSIONS TABLE ARE DETERMINED BASED ON BEAM PROFILE AND BEAM CAMBER.

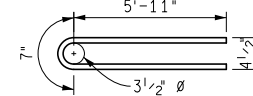
THE ABOVE NOTES ARE FOR INFORMATION ONLY AND SHOULD NOT BE INCLUDED ON THIS SHEET.



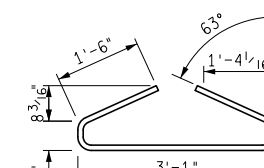
**EC030206 BAR**



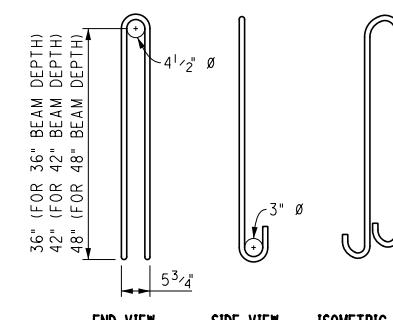
**EA040310 BAR**



**ED041205 BAR**



**EF030608 BAR**



**EL05 BAR**

FINAL ROW PLAN REVISIONS (SUBMITTAL DATE: )						NO SCALE	DATE: 05/09/18	CS:	PRESTRESSED BEAM DETAILS	DRAWING SHEET		
NO.	DATE	AUTH	DESCRIPTION	NO.	DATE						AUTH	DESCRIPTION
FILE: prest_BT_002.dgn							DESIGN UNIT:	JN:	BULB-TEE BEAM	BTB SECT		
							TSC:			002		