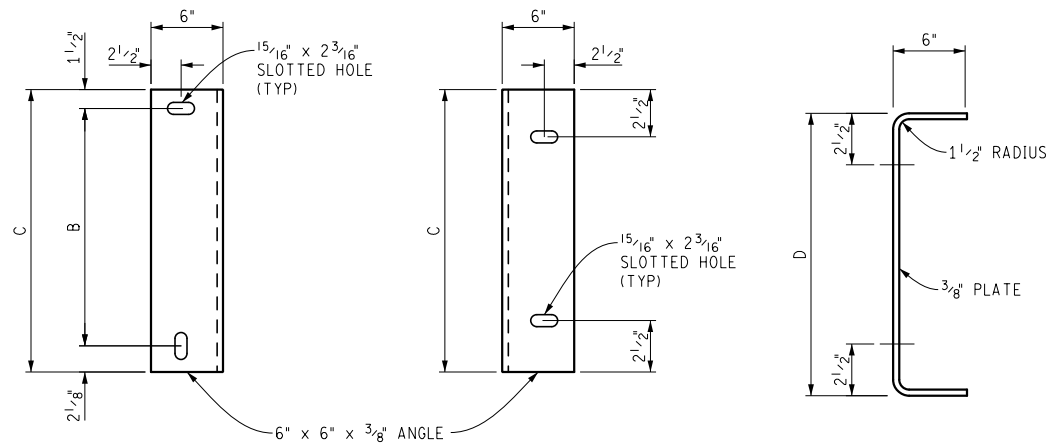


STRAND/DEBONDING LAYOUT TABLE									
BEAM SPAN (ϵ BRG- ϵ BRG) (FT)	BEAM DIMENSIONS		NO. OF STRANDS						
	D (in)	W (in)	1ST LAYER, 2" FROM BOTTOM	2ND LAYER, 4" FROM BOTTOM	3RD LAYER, 6" FROM BOTTOM	4TH LAYER, 8" FROM BOTTOM	TOTAL NO. OF STRANDS	NO. OF DRAPED STRANDS	NO. OF DRAPED STRANDS- (HEIGHT AT MIDSPAN) - [HEIGHT AT END] (IN) **
70	36	49	17	11	-	-	28	3	3,(4),[31]
80	36	49	17	19	3	-	39	6	3,(4),[29]; 3,(6),[31]
90	42	49	17	19	3	2	41	8	3,(4),[25]; 3,(6),[35]; 2,(8),[37]
100	48	49	17	19	7	-	43	6	3,(4),[41]; 3,(6),[43]
110	48	49	17	19	15	3	54	12	3,(2),[31]; 3,(4),[39]; 3,(6),[41]; 3,(8),[43]

** MEASURED FROM BOTTOM OF BEAM

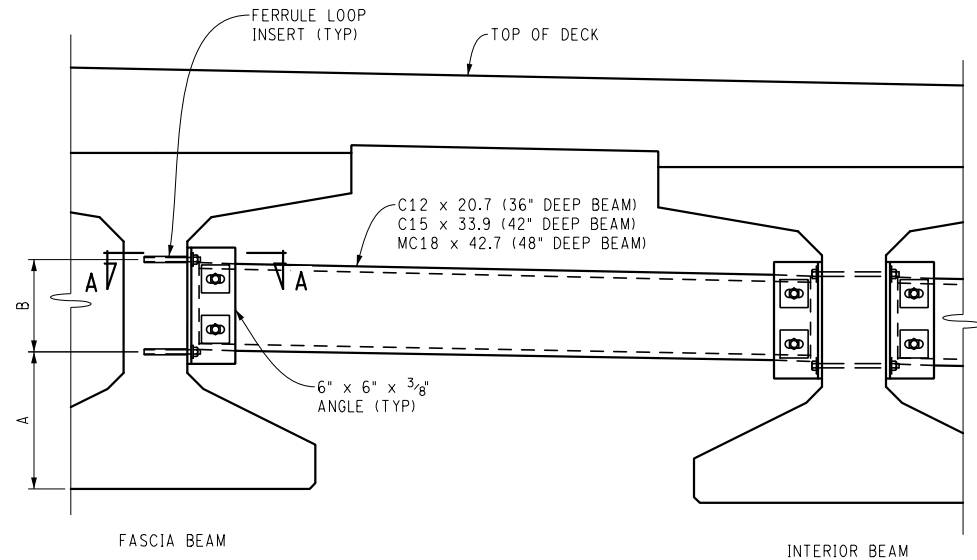


ALONG BEAM
ALONG DIAPHRAGM
DIAPHRAGM SUPPORT

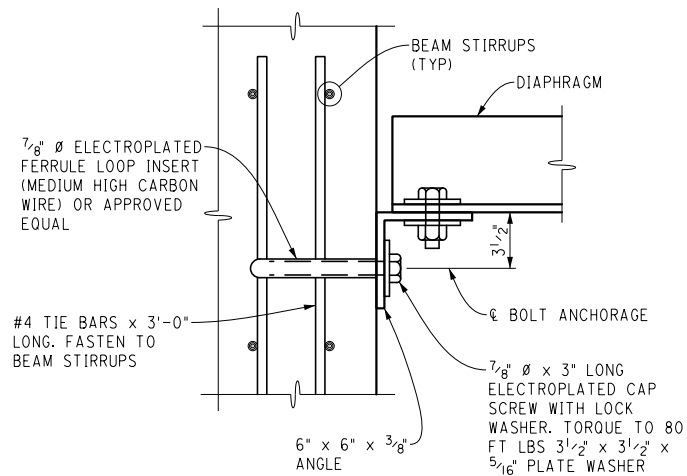
DIMENSION TABLE				
BEAM HEIGHT	A	B	C	D
36"	1'-5 1/16"	5 3/8"	9"	12"
42"	1'-5 1/16"	11 3/8"	1'-3"	15"
48"	1'-5 1/16"	1'-5 3/8"	1'-9"	18"

THIS TABLE IS FOR INFORMATION ONLY AND SHOULD NOT BE INCLUDED ON THE FINAL DESIGN DRAWINGS

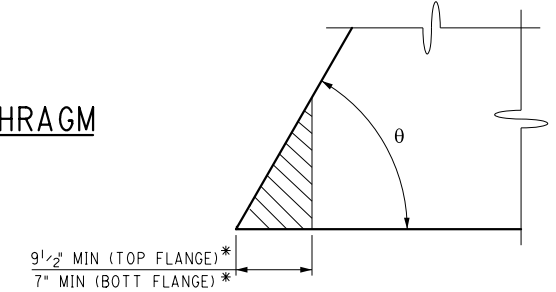
ALTERNATE DIAPHRAGM



INTERMEDIATE DIAPHRAGM
(D1) ELEVATION

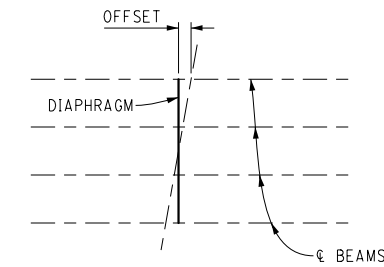


SECTION A-A
(FASCIA BEAMS)

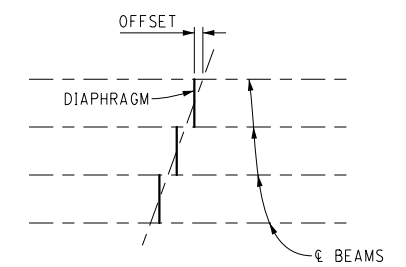


FLANGE CLIP DETAIL

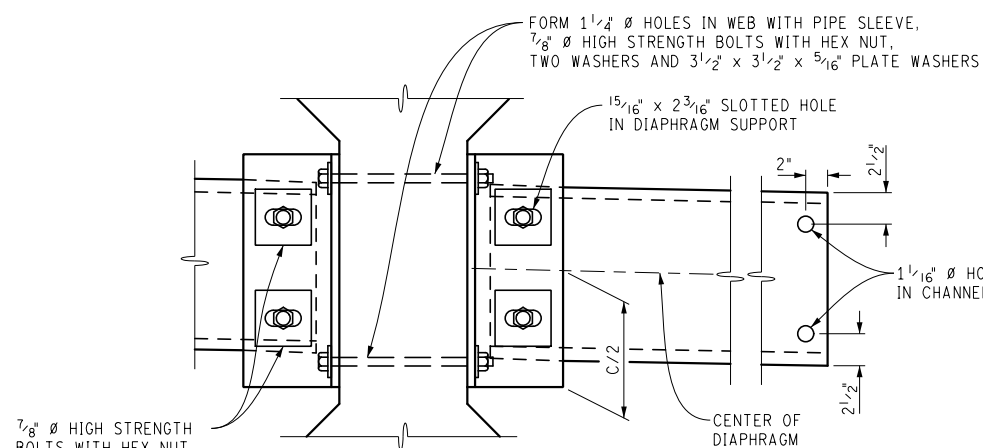
USE WHEN $\theta < 60^\circ$
* CLIP CAN BE INCREASED TO ϵ OF BEAM



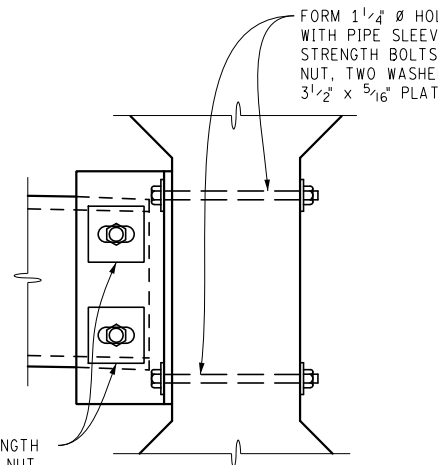
PLAN FOR SKEW ANGLE $\leq 10^\circ$



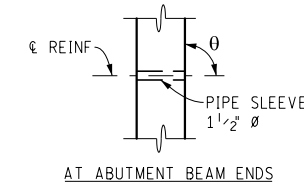
PLAN FOR SKEW ANGLE $> 10^\circ$



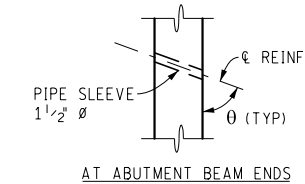
CONNECTION DETAIL
(INTERIOR BEAMS)
(FOR A CONTINUOUS LINE OF DIAPHRAGMS)



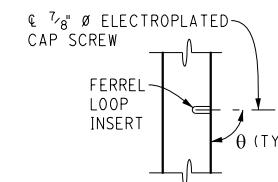
CONNECTION DETAIL
(INTERIOR BEAMS)
(FOR DIAPHRAGMS WITH SKEW ANGLES $> 10^\circ$)



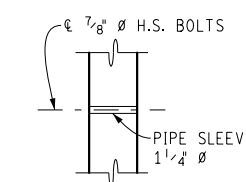
AT ABUTMENT BEAM ENDS



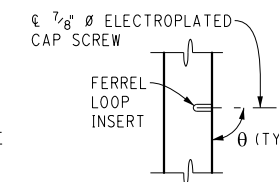
AT ABUTMENT BEAM ENDS



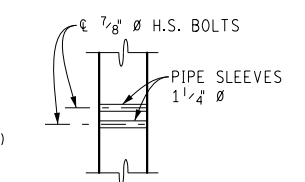
TYP FASCIA BEAM
AT DIAPHRAGM



TYP INTERIOR BEAM
AT DIAPHRAGM



TYP FASCIA BEAM
AT DIAPHRAGM



TYP INTERIOR BEAM
AT DIAPHRAGM

SKEW ANGLE $\leq 10^\circ$
(FOR A CONTINUOUS LINE OF DIAPHRAGMS)

SKEW ANGLE $> 10^\circ$
(FOR STAGGERED DIAPHRAGMS)

CONCRETE INSERT DETAILS

CONTINUOUS HOLES IN BEAM WEB SHALL BE AS SHOWN ABOVE.
OMIT INSERTS ON OUTSIDE OF FASCIA BEAMS.
SLOPE INSERTS AND HOLES IN BEAM WEBS TO MATCH SLOPE OF DECK.

FINAL ROW PLAN REVISIONS (SUBMITTAL DATE:)								NO SCALE	DATE: 05/09/18	CS:	PRESTRESSED BEAM DETAILS		DRAWING	SHEET
NO.	DATE	AUTH	DESCRIPTION	NO.	DATE	AUTH	DESCRIPTION				DESIGN UNIT:	JN:		
								FILE: prest_BT_003.dgn	TSC:				003	