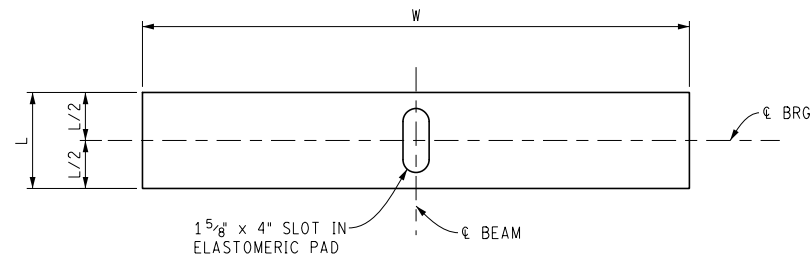
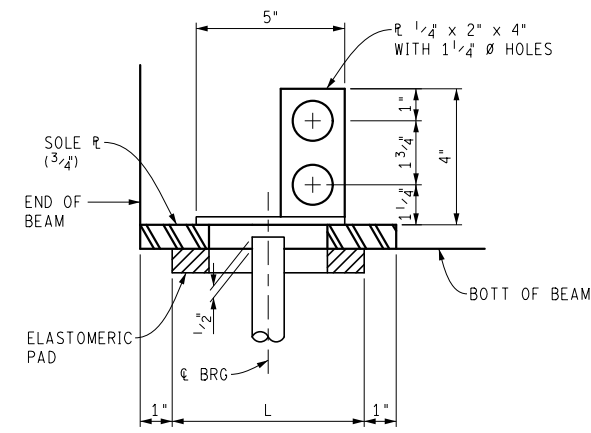


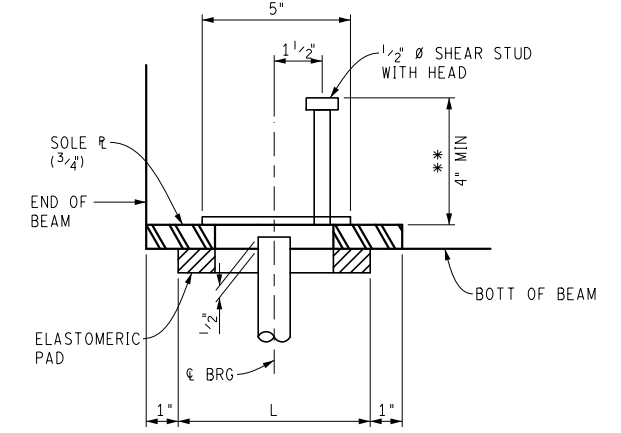
PLAN OF SOLE PLATE



PLAN OF ELASTOMERIC PAD

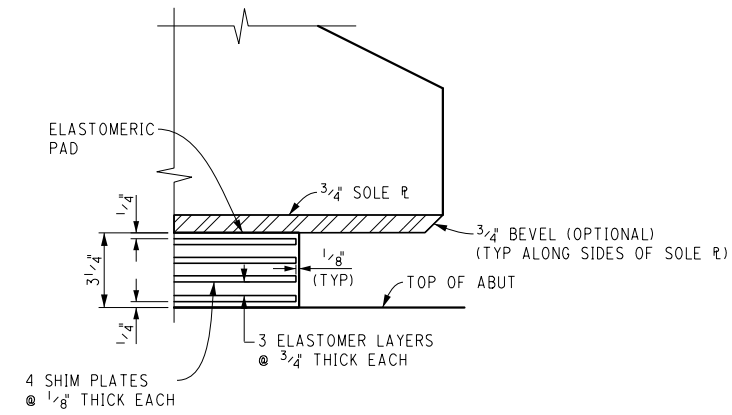


SECTION A-A



SECTION B-B

\*\* EXTEND SHEAR STUDS ABOVE HIGHEST ROW OF STRANDS WITHOUT INTERFERENCE TO REINFORCEMENT



SECTION C-C

DIMENSION TABLE				
BEAM SPAN (€ BRG-€ BRG) (FT)	W	L		
70	2'-0"	1'-0"		
80	2'-0"	1'-1"		
90	2'-0"	1'-2"		
100	2'-1"	1'-2"		
110	2'-0"	1'-3"		

THIS TABLE IS FOR INFORMATION ONLY AND SHOULD NOT BE INCLUDED ON THE FINAL DESIGN DRAWINGS

**NOTES:**

BLOCK OUT CONCRETE AT ELASTOMERIC BEARINGS.

POSITION DOWELS SHALL BE HOT-DIP GALVANIZED ACCORDING TO AASHTO M 232. POSITION DOWELS ARE INCLUDED IN PAYMENT FOR PRESTRESSED CONCRETE BEAMS.

STEEL FOR SOLE PLATES AND OTHER BEARING COMPONENTS SHALL MEET THE REQUIREMENTS OF AASHTO M 270 GRADE 36. SOLE PLATES ARE REQUIRED IN ALL BEAM ENDS.

FINAL ROW PLAN REVISIONS (SUBMITTAL DATE: )								NO SCALE	DATE: 05/09/18	CS:	PRESTRESSED BULB-TEE BEAM BEARING DETAILS	DRAWING	SHEET
NO.	DATE	AUTH	DESCRIPTION	NO.	DATE	AUTH	DESCRIPTION						
FILE: prest_BT_004.dgn								DESIGN UNIT:	JN:	BRG	SECT	002	