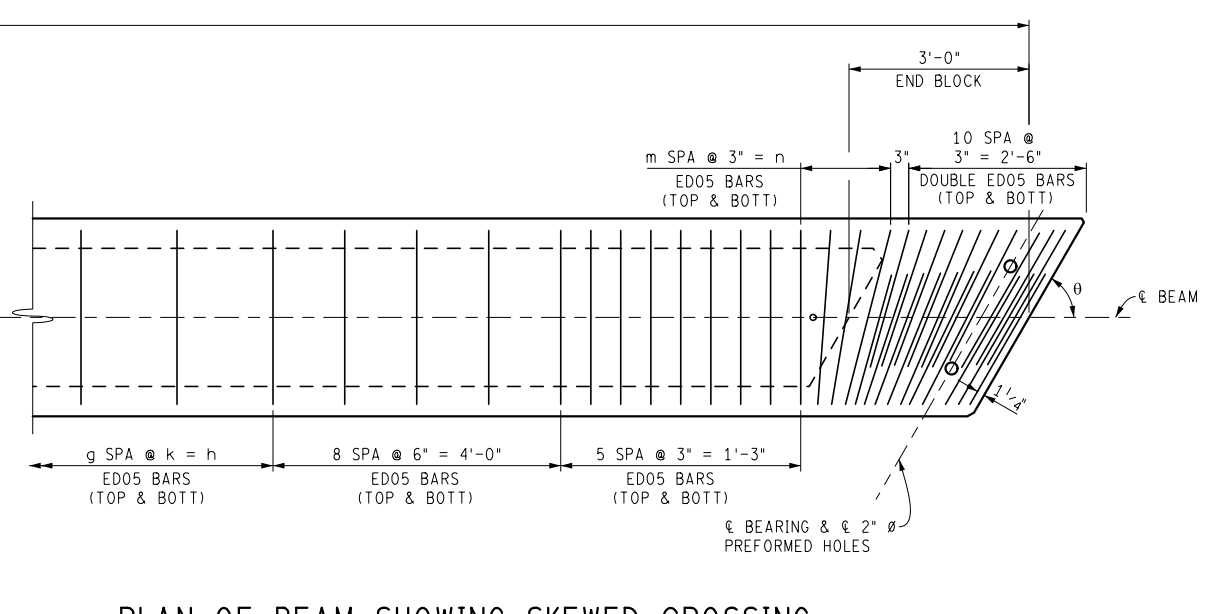
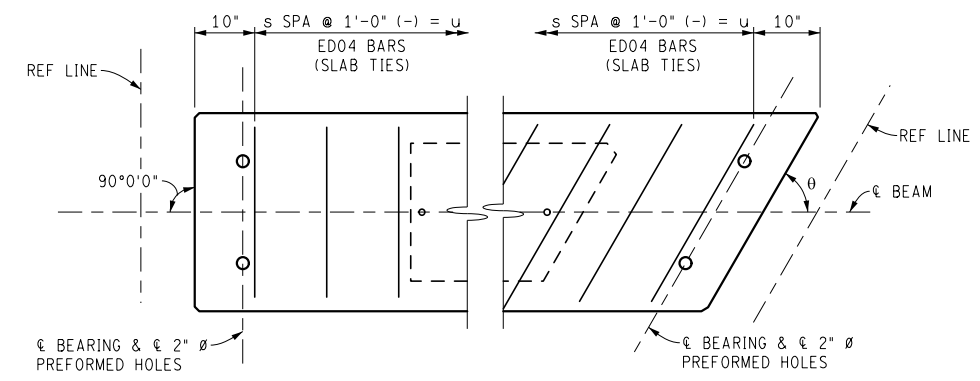


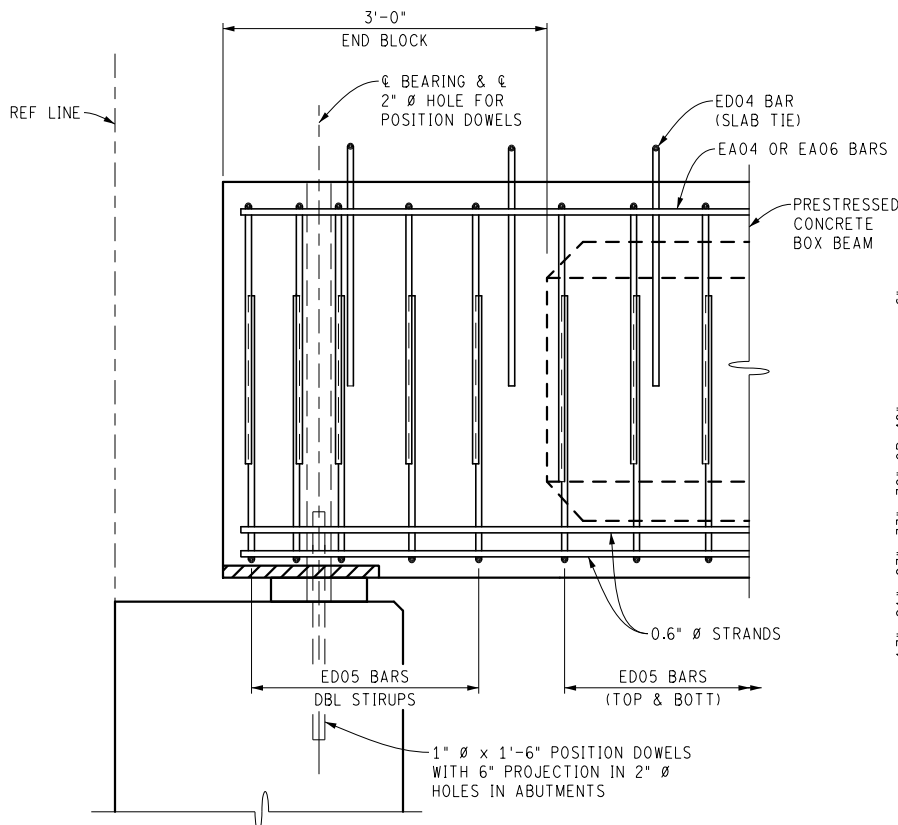
PLAN OF BEAM SHOWING 90° CROSSING



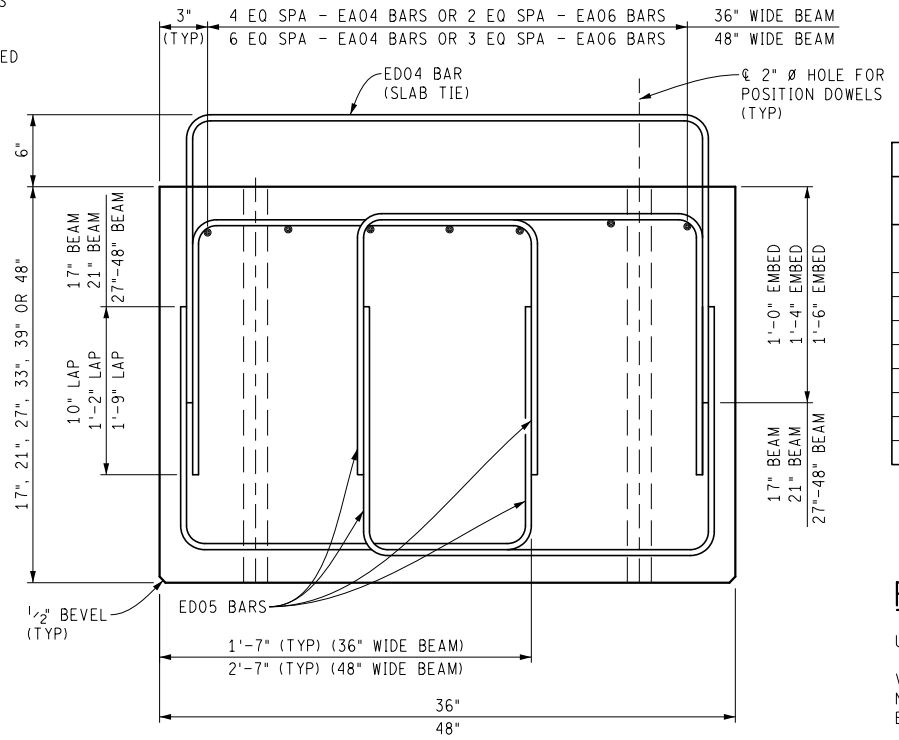
PLAN OF BEAM SHOWING SKEWED CROSSING



90° CROSSING SKEWED CROSSING
PLAN OF SLAB TIES



SECTION THRU END BLOCK



SECTION A-A

	BEAM DIMENSIONS									
	BEAM SIZE									
	17 x 36	21 x 36		21 x 48		27 x 48	33 x 48	39 x 48		48 x 48
	20' BEAM SPAN	30' BEAM SPAN	40' BEAM SPAN	50' BEAM SPAN	60' BEAM SPAN	70' BEAM SPAN	80' BEAM SPAN	90' BEAM SPAN	100' BEAM SPAN	110' BEAM SPAN
g	7	20	34	47	60	74	87	100	114	95
k	9" (-)	9" (+)	9" (-)	9" (-)	9" (+)	9" (-)	9" (-)	9" (+)	9" (-)	1'-0" (+)
h	5'-1 1/2"	15'-1 1/2"	25'-1 1/2"	35'-1 1/2"	45'-1 1/2"	55'-1 1/2"	65'-1 1/2"	75'-1 1/2"	85'-1 1/2"	95'-1 1/2"
m	TBD	TBD	TBD	TBD	TBD	TBD	TBD	TBD	TBD	TBD
n	TBD	TBD	TBD	TBD	TBD	TBD	TBD	TBD	TBD	TBD
s	20	30	40	50	60	70	80	90	100	110
u	19'-8"	29'-8"	39'-8"	49'-8"	59'-8"	69'-8"	79'-8"	89'-8"	99'-8"	109'-8"
W	21'-4"	31'-4"	41'-4"	51'-4"	61'-4"	71'-4"	81'-4"	91'-4"	101'-4"	111'-4"

REPLACE VARIABLES IN BEAM DIMENSIONS WITH VALUES FROM THIS TABLE. THIS TABLE IS FOR INFORMATION ONLY AND SHOULD NOT BE INCLUDED ON THE FINAL DESIGN DRAWINGS.

FOR INFORMATION ONLY:

USE HAUNCH REINFORCEMENT WHEN BEAM HAUNCH > 4".

VARIABLES IN BEAM DIMENSIONS TABLE WITH VALUES NOTED "TBD" SHALL BE DETERMINED BY THE DESIGNER BASED ON BEAM END SKEW.

"g" & "h" VALUES SHOWN IN THE BEAM DIMENSIONS TABLE ARE BASED ON 90° CROSSING AND SHALL BE ADJUSTED FOR SKEWED CROSSING.

THE ENDS OF THE BOX BEAMS SHALL BE SKEWED TO BE PARALLEL TO THE REFERENCE LINE.

THE ABOVE NOTES ARE FOR INFORMATION ONLY AND SHOULD NOT BE INCLUDED ON THIS SHEET.

FINAL ROW PLAN REVISIONS (SUBMITTAL DATE:)						NO SCALE	DATE: 05/09/18	CS:	PRESTRESSED BEAM DETAILS	DRAWING	SHEET	
NO.	DATE	AUTH	DESCRIPTION	NO.	DATE		AUTH	DESCRIPTION		JN:	SBB	SECT
										TSC:		

FILE: prest_SBB_002.dgn

002