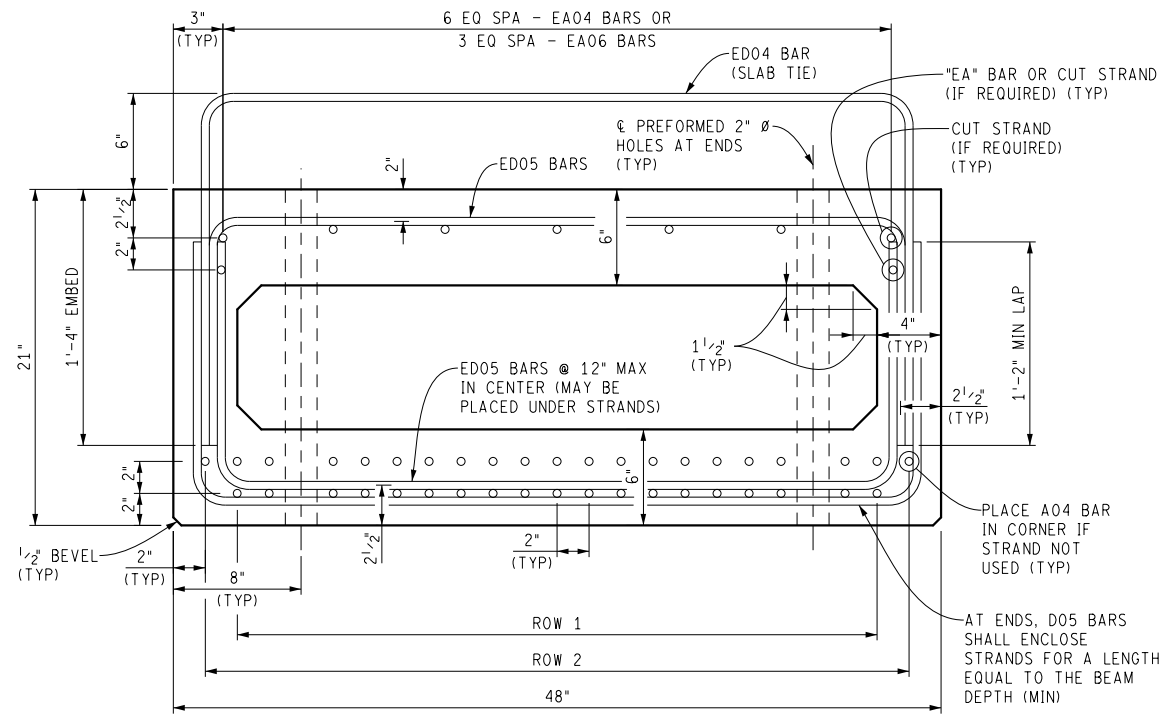
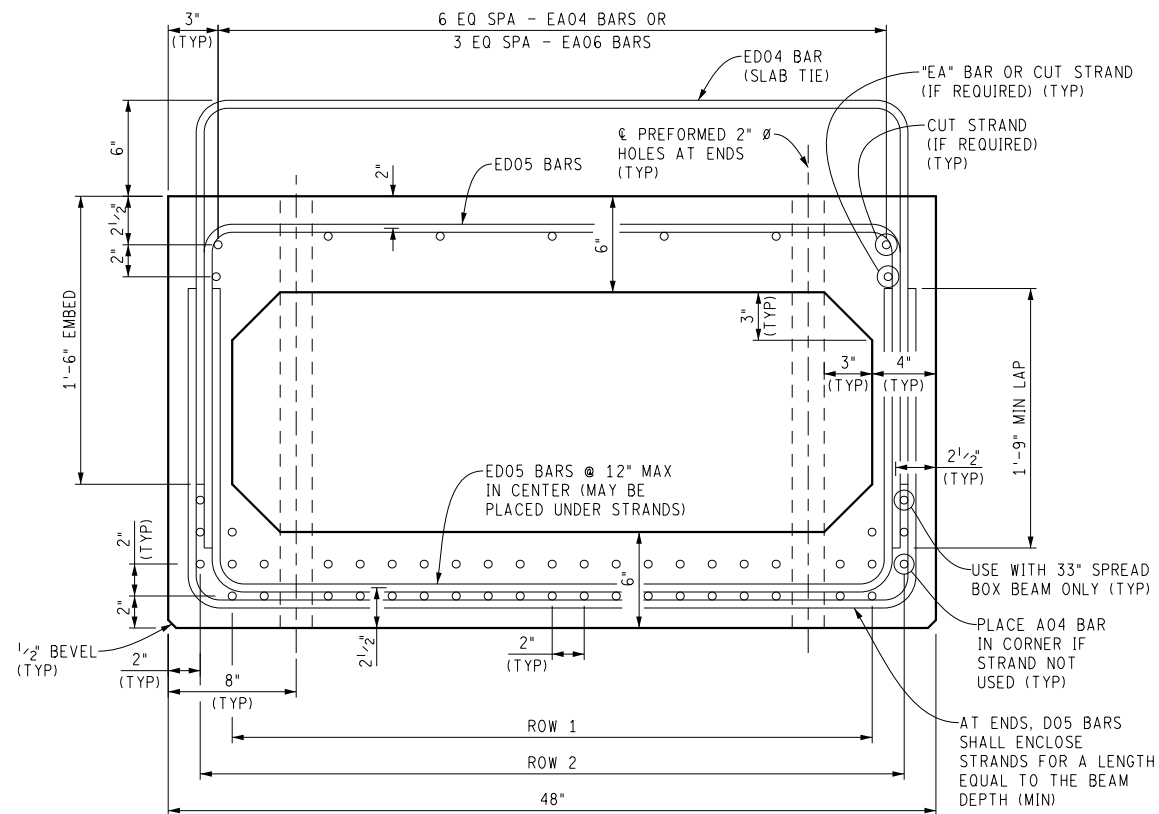


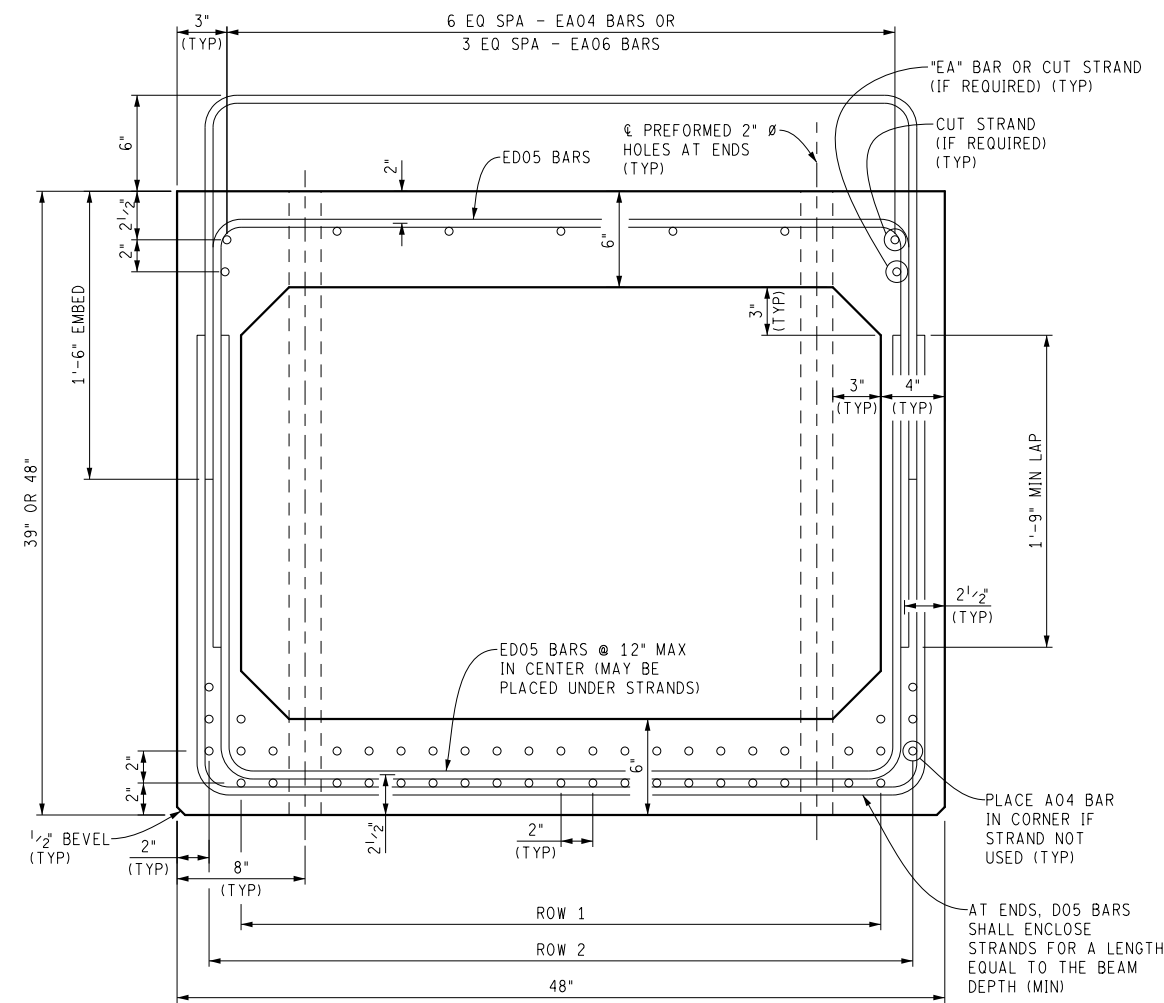
17" X 36" OR 21" X 36" BEAM



21" X 48" BEAM



27" X 48" OR 33" X 48" BEAM



39" X 48" OR 48" X 48" BEAM

**NOTES:**

SEE DEBONDING TABLE ON DWG "SBB\_004" FOR STRAND INFORMATION.

FINAL ROW PLAN REVISIONS (SUBMITTAL DATE: )							
NO.	DATE	AUTH	DESCRIPTION	NO.	DATE	AUTH	DESCRIPTION

**NO SCALE**

FILE: prest\_SBB\_003.dgn

DATE: 05/09/18

DESIGN UNIT:

TSC:

CS:

JN:

PRESTRESSED BEAM DETAILS

SPREAD BOX BEAM

DRAWING SHEET

SBB SECT

003