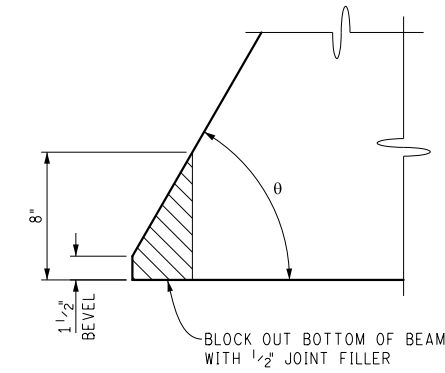


STRAND/DEBONDING LAYOUT TABLE								
BEAM SPAN (€ BRG-€ BRG) (FT)	BEAM DIMENSIONS		NO. OF STRANDS					NO. OF DEBONDING STRANDS-(1st LAYER)-(2nd LAYER) DEBONDING LENGTHS (ft)
			1ST LAYER, 2" FROM BOTTOM	2ND LAYER, 4" FROM BOTTOM	3RD LAYER, 6" FROM BOTTOM	TOTAL NO. OF STRANDS	NO. OF DEBONDING STRANDS	
	H (in)	W (in)						
20	17	36	9	-	-	9	N/A	N/A
30	21	36	11	-	-	11	N/A	N/A
40	21	36	13	5	-	18	4	(2)2, (2)4
50	21	48	19	7	-	26	6	(2)2, (4)4
60	21	48	19	15	-	34	8	(2)2, (4)8, (2)12
70	27	48	19	15	-	34	6	(2)2, (2)4, (2)6
80	33	48	19	15	-	34	6	(2)2, (4)4
90	39	48	19	17	-	36	6	(2)2, (4)4
100	39	48	19	21	6	46	10	(2)12, (2)14, (2)30, [2]12, [2]20
110	48	48	19	21	4	44	10	(2)6, (2)10, (2)12, [2]2, [2]4

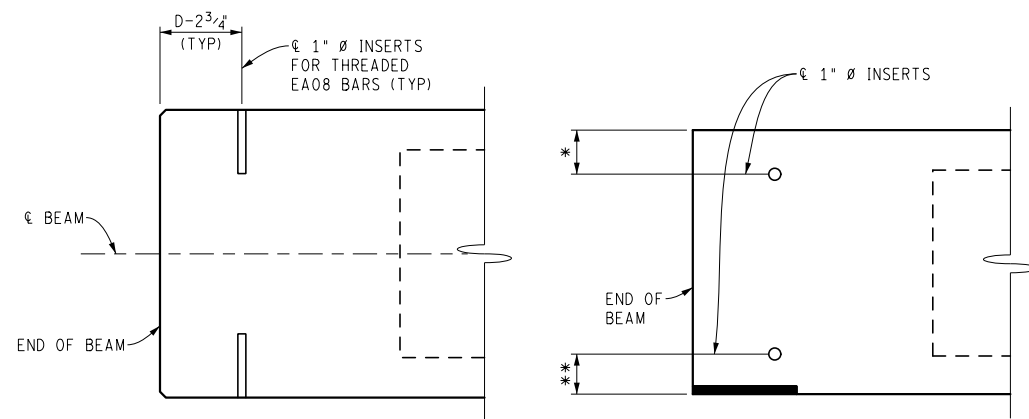
STRAND DEBONDING LENGTH IS MEASURED FROM EACH BEAM END

THIS TABLE IS FOR INFORMATION ONLY AND SHOULD NOT BE INCLUDED ON THE FINAL DESIGN DRAWINGS



CORNER BLOCKING DETAIL

USE WHEN $\theta < 70^\circ$

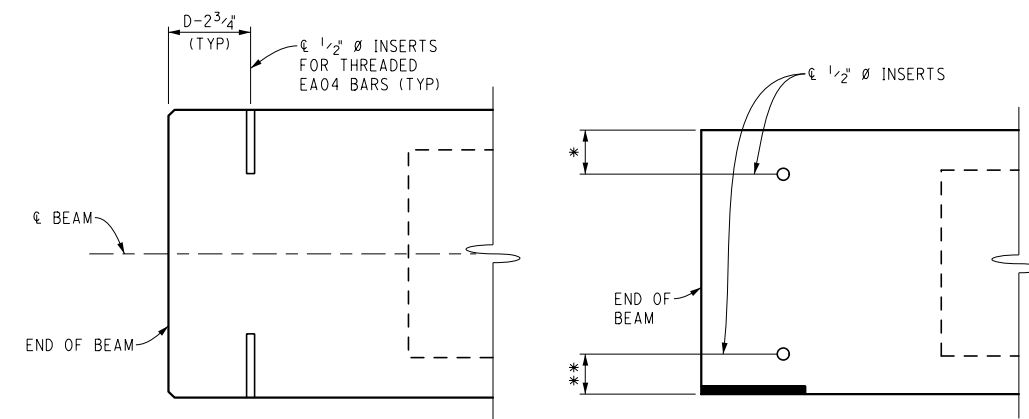


PLAN

ELEV

INSERT DETAIL @ BEAM END (EXPANSION ABUTMENT)

(SEE DECK 002 FOR BACKWALL DETAILS)



PLAN

ELEV

INSERT DETAIL @ BEAM END (FIXED ABUTMENT)

(SEE DECK 002 FOR BACKWALL DETAILS)

FOR INFORMATION ONLY:

"D" DENOTES BACKWALL THICKNESS.

* PLACE SPREAD BOX BEAM BACKWALL INSERTS AT 3 1/2" OR 5 1/2" DOWN FROM TOP OF BEAM TO AVOID INTERFERENCE WITH STRANDS. (3 1/2" FOR 21" BEAMS) (5 1/2" FOR >21" BEAMS)

** PLACE SPREAD BOX BEAM BACKWALL INSERTS AT 5" OR 7" UP FROM BOTTOM OF BEAM TO AVOID INTERFERENCE WITH STRANDS. (5" FOR 21" BEAMS) (7" FOR >21" BEAMS)

THE ABOVE NOTES ARE FOR INFORMATION ONLY AND SHOULD NOT BE INCLUDED ON THIS SHEET.

FINAL ROW PLAN REVISIONS (SUBMITTAL DATE:)								NO SCALE	DATE: 05/09/18	CS:	PRESTRESSED BEAM DETAILS		DRAWING	SHEET
NO.	DATE	AUTH	DESCRIPTION	NO.	DATE	AUTH	DESCRIPTION		DESIGN UNIT:	JN:	SPREAD BOX BEAM		SBB	SECT
									FILE: prest_SBB_004.dgn	TSC:			004	