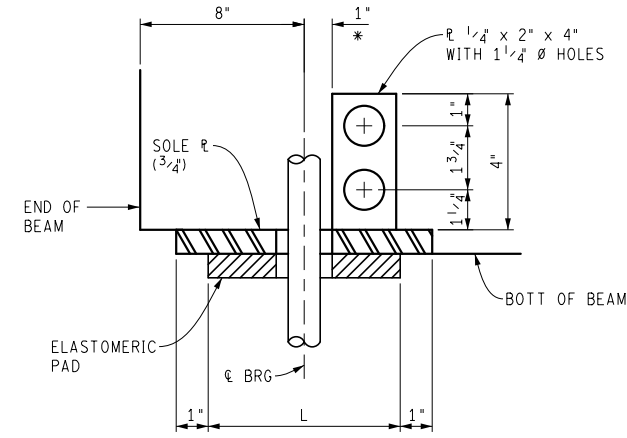
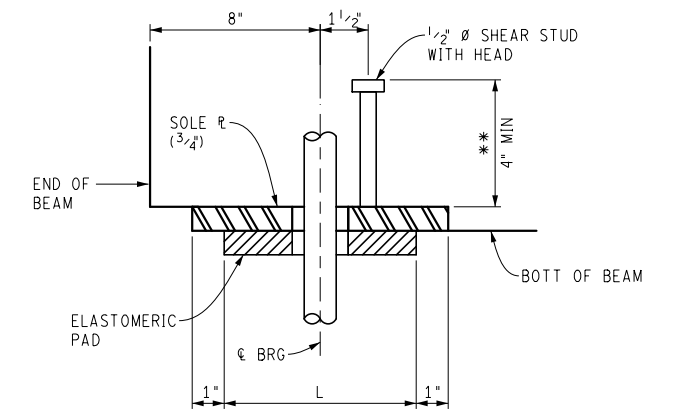


PLAN OF SOLE PLATE



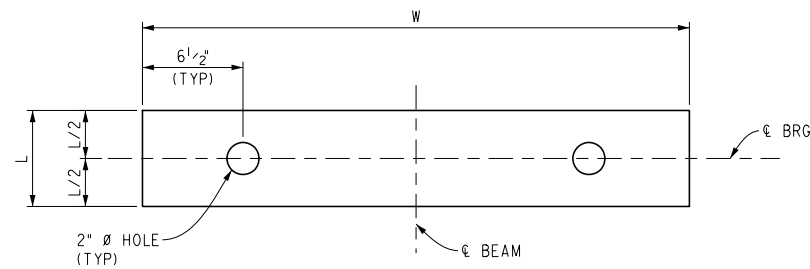
SECTION A-A

\* 0" FOR L = 4"

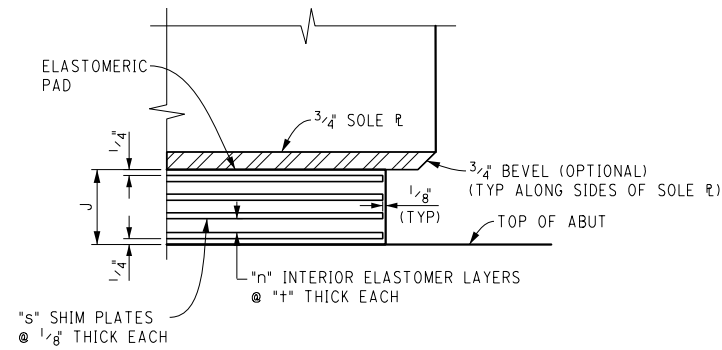


SECTION B-B

\*\* EXTEND SHEAR STUDS ABOVE HIGHEST ROW OF STRANDS WITHOUT INTERFERENCE TO REINFORCEMENT



PLAN OF ELASTOMERIC PAD



SECTION C-C

BEAM SPAN (€ BRG-€ BRG) (FT)	W	L	J	s	n	t
20	2'-9"	4"	1"	0	0	0"
30	2'-9"	4"	1"	0	0	0"
40	2'-9"	6"	1 1/4"	2	1	1/2"
50	3'-9"	7"	1 1/2"	2	1	3/4"
60	3'-9"	7"	1 1/2"	2	1	3/4"
70	3'-9"	7"	1 1/8"	3	2	1/2"
80	3'-9"	7"	2 1/8"	3	2	5/8"
90	3'-9"	8"	2 1/8"	3	2	5/8"
100	3'-9"	9"	2 3/8"	3	2	3/4"
110	3'-9"	9"	2 3/8"	3	2	3/4"

THIS TABLE IS FOR INFORMATION ONLY AND SHOULD NOT BE INCLUDED ON THE FINAL DESIGN DRAWINGS

BEAM SPAN (€ BRG-€ BRG) (FT)	W	L	J	s	n	t
20	2'-9"	4"	1"	0	0	0"
30	2'-9"	4"	1"	0	0	0"
40	2'-9"	6"	1 1/2"	2	1	3/4"
50	2'-9"	6"	1 1/2"	2	1	3/4"
60	3'-9"	7"	1 1/2"	2	1	3/4"
70	3'-9"	7"	2 1/8"	3	2	5/8"
80	3'-9"	7"	2 1/8"	3	2	5/8"
90	3'-9"	8"	2 1/8"	3	2	5/8"
100	3'-9"	9"	2 3/8"	3	2	3/4"
110	3'-9"	9"	2 3/8"	3	2	3/4"

THIS TABLE IS FOR INFORMATION ONLY AND SHOULD NOT BE INCLUDED ON THE FINAL DESIGN DRAWINGS

FOR INFORMATION ONLY:

ELASTOMERIC BEARINGS FOR BEAM SPANS 20' AND 30' ARE PLAIN PADS WITH NO SHIMS PLATES.

TILT SOLE PLATE AS REQUIRED WHEN THE CALCULATED BEVEL EXCEEDS 1%.

SOLE PLATE TILT TO BE DETERMINED BY THE DESIGNER TAKING INTO CONSIDERATION BEAM CAMBER AND BRIDGE PROFILE.

THE ABOVE NOTES ARE FOR INFORMATION ONLY AND SHOULD NOT BE INCLUDED ON THIS SHEET.

NOTES:

BLOCK OUT CONCRETE AT ELASTOMERIC BEARINGS.

TILT SOLE PLATE AS REQUIRED WHEN THE CALCULATED BEVEL EXCEEDS 1%.

POSITION DOWELS SHALL BE HOT-DIP GALVANIZED ACCORDING TO AASHTO M 232. POSITION DOWELS ARE INCLUDED IN PAYMENT FOR PRESTRESSED CONCRETE BEAMS.

STEEL FOR SOLE PLATES AND OTHER BEARING COMPONENTS SHALL MEET THE REQUIREMENTS OF AASHTO M 270 GRADE 36. SOLE PLATES ARE REQUIRED IN ALL BEAM ENDS.

FINAL ROW PLAN REVISIONS (SUBMITTAL DATE: )								NO SCALE	DATE: 05/09/18	CS:	PRESTRESSED BOX BEAM BEARING DETAILS	DRAWING	SHEET
NO.	DATE	AUTH	DESCRIPTION	NO.	DATE	AUTH	DESCRIPTION						
								FILE: prest_SBB_005.dgn	DESIGN UNIT:	JN:	BRG	SECT	
									TSC:		001		