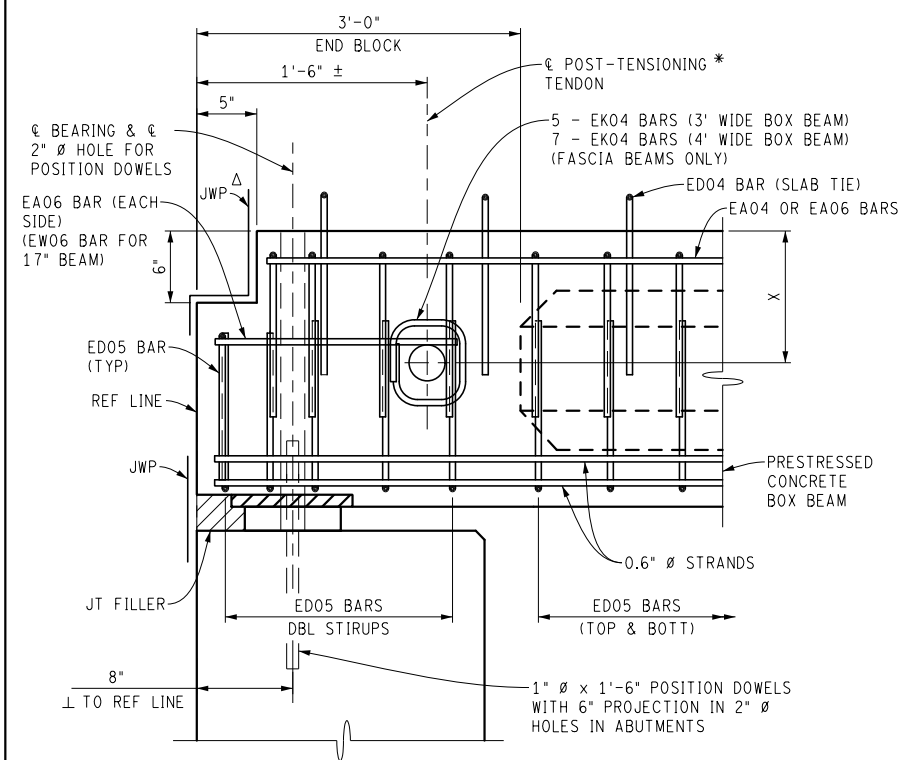


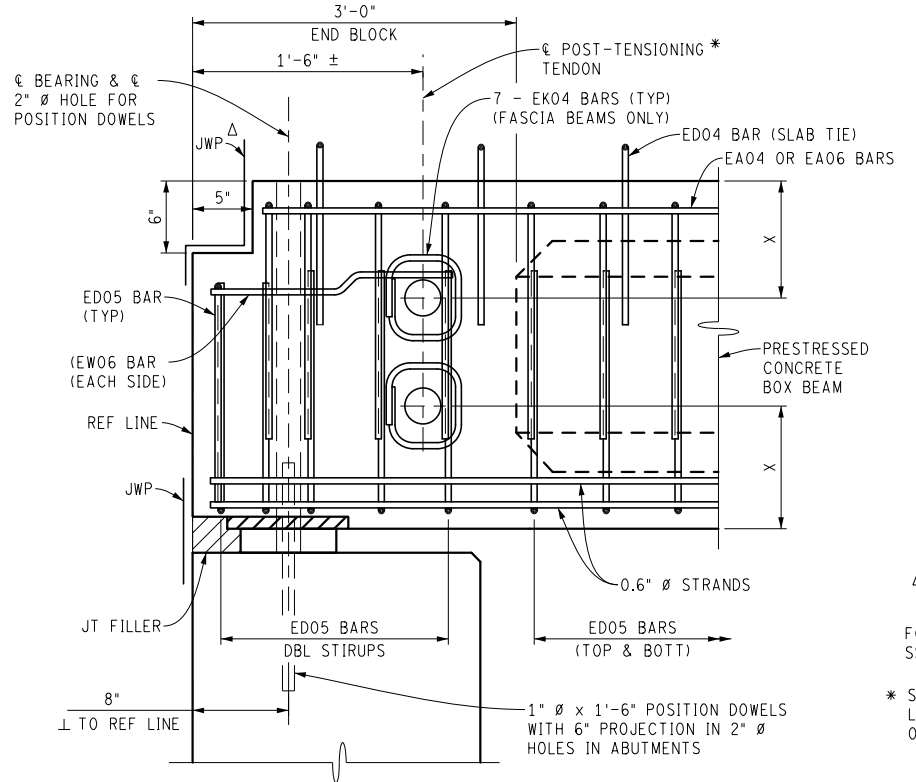
PLAN OF BEAM SHOWING 90° CROSSING

PLAN OF BEAM SHOWING SKEWED CROSSING

** USE 3" Ø, 4" Ø, OR 5" Ø AS REQUIRED FOR BEAM SIZE AND POST TENSIONING FORCE



SECTION THRU END BLOCK FOR 17", 21" & 27" BOX BEAMS



SECTION THRU END BLOCK FOR 33" & 39" BOX BEAMS

	BEAM DIMENSIONS									
	BEAM SIZE									
	17 x 36		21 x 48		27 x 48		33 x 48		39 x 48	
	20' BEAM SPAN	30' BEAM SPAN	40' BEAM SPAN	50' BEAM SPAN	60' BEAM SPAN	70' BEAM SPAN	80' BEAM SPAN	90' BEAM SPAN	100' BEAM SPAN	110' BEAM SPAN
g	5	14	24	34	44	54	64	74	84	94
k	10" (-)	1'-0" (+)	1'-0" (+)	1'-0" (+)	1'-0" (+)	1'-0" (+)	1'-0" (+)	1'-0" (+)	1'-0" (+)	1'-0" (+)
h	4'-1 1/2"	14'-1 1/2"	24'-1 1/2"	34'-1 1/2"	44'-1 1/2"	54'-1 1/2"	64'-1 1/2"	74'-1 1/2"	84'-1 1/2"	94'-1 1/2"
m	TBD	TBD	TBD	TBD	TBD	TBD	TBD	TBD	TBD	TBD
n	TBD	TBD	TBD	TBD	TBD	TBD	TBD	TBD	TBD	TBD
s	20	30	40	50	60	70	80	90	100	110
u	19'-8"	29'-8"	39'-8"	49'-8"	59'-8"	69'-8"	79'-8"	89'-8"	99'-8"	109'-8"
W	21'-4"	31'-4"	41'-4"	51'-4"	61'-4"	71'-4"	81'-4"	91'-4"	101'-4"	111'-4"

REPLACE VARIABLES IN BEAM DIMENSIONS WITH VALUES FROM THIS TABLE. THIS TABLE IS FOR INFORMATION ONLY AND SHOULD NOT BE INCLUDED ON THE FINAL DESIGN DRAWINGS.

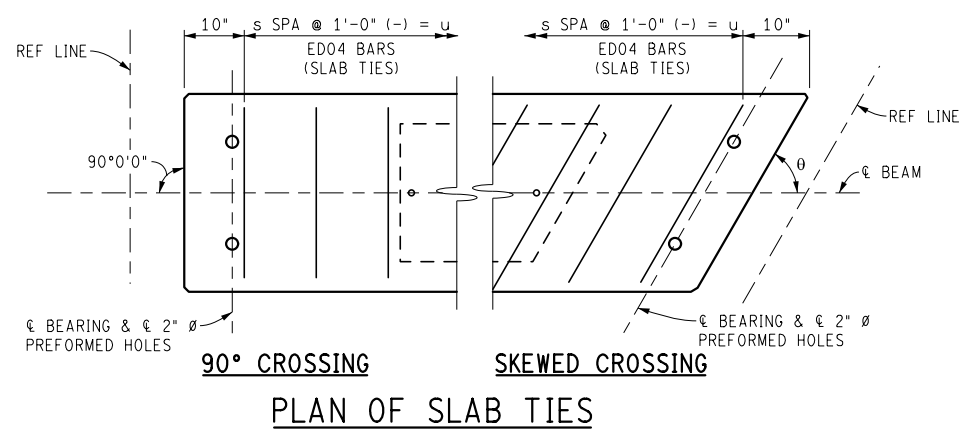
FOR INFORMATION ONLY:

VARIABLES IN BEAM DIMENSIONS TABLE WITH VALUES NOTED "TBD" SHALL BE DETERMINED BY THE DESIGNER BASED ON BEAM END SKEW.

"g" & "h" VALUES SHOWN IN THE BEAM DIMENSIONS TABLE ARE BASED ON 90° CROSSING AND SHALL BE ADJUSTED FOR SKEWED CROSSING.

THE ENDS OF THE BOX BEAMS SHALL BE SKEWED TO BE PARALLEL TO THE REFERENCE LINE.

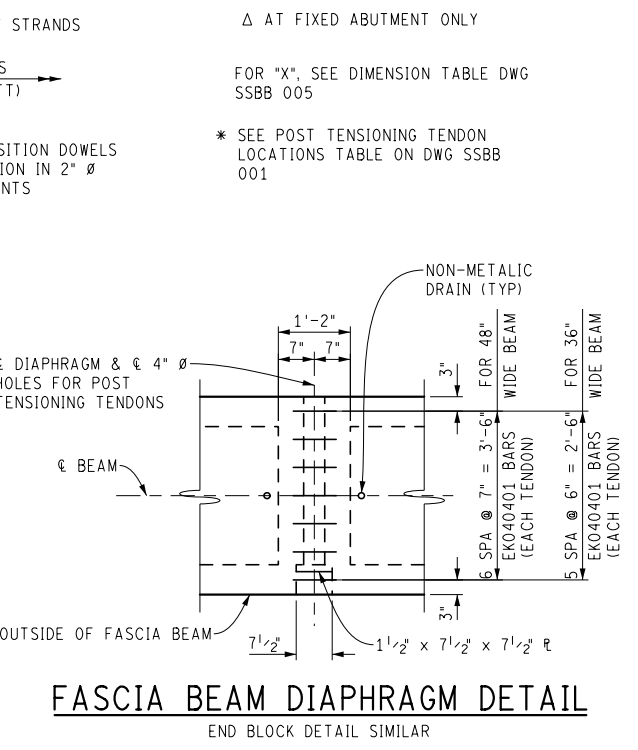
THE ABOVE NOTES ARE FOR INFORMATION ONLY AND SHOULD NOT BE INCLUDED ON THIS SHEET.



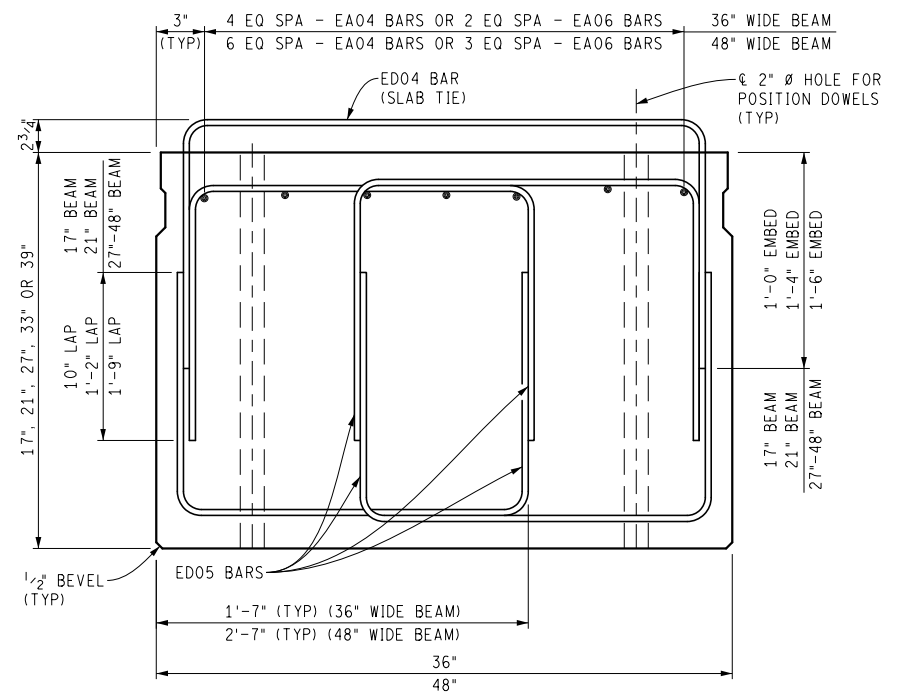
90° CROSSING

SKEWED CROSSING

PLAN OF SLAB TIES



FASCIA BEAM DIAPHRAGM DETAIL END BLOCK DETAIL SIMILAR



SECTION A-A