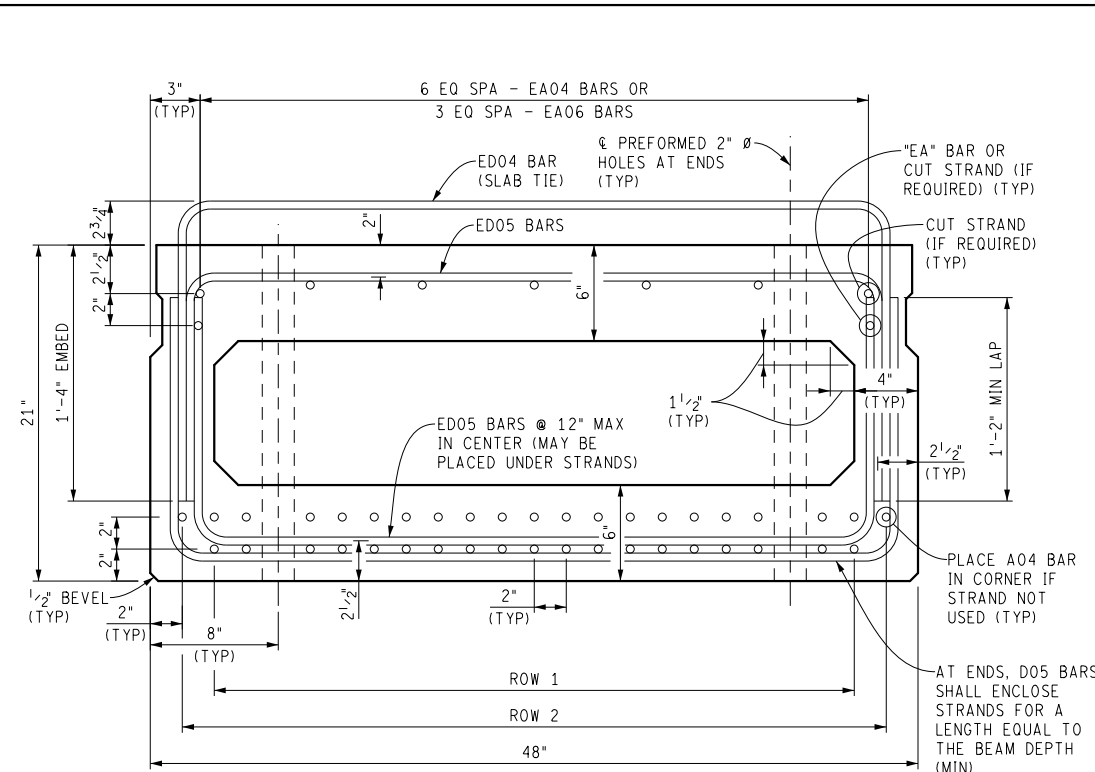
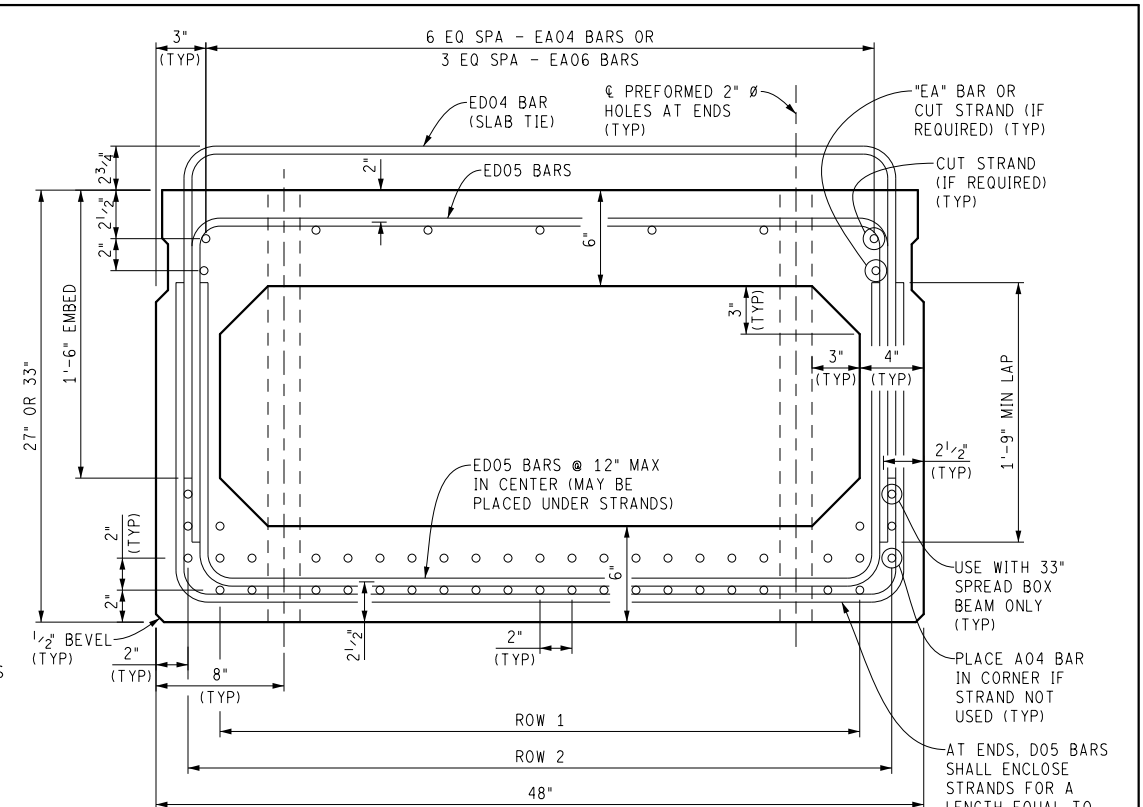


17" X 36" BEAM (INTERIOR)

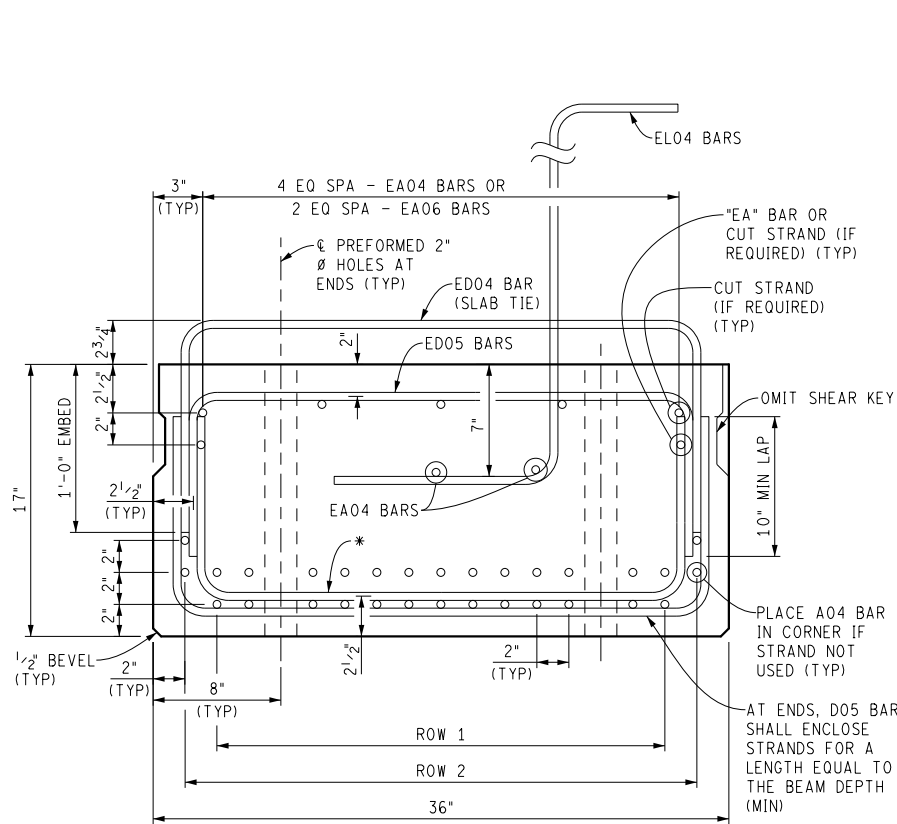
* ED05 BARS @ 12" MAX IN CENTER (MAY BE PLACED UNDER STRANDS)



21" X 48" BEAM (INTERIOR)

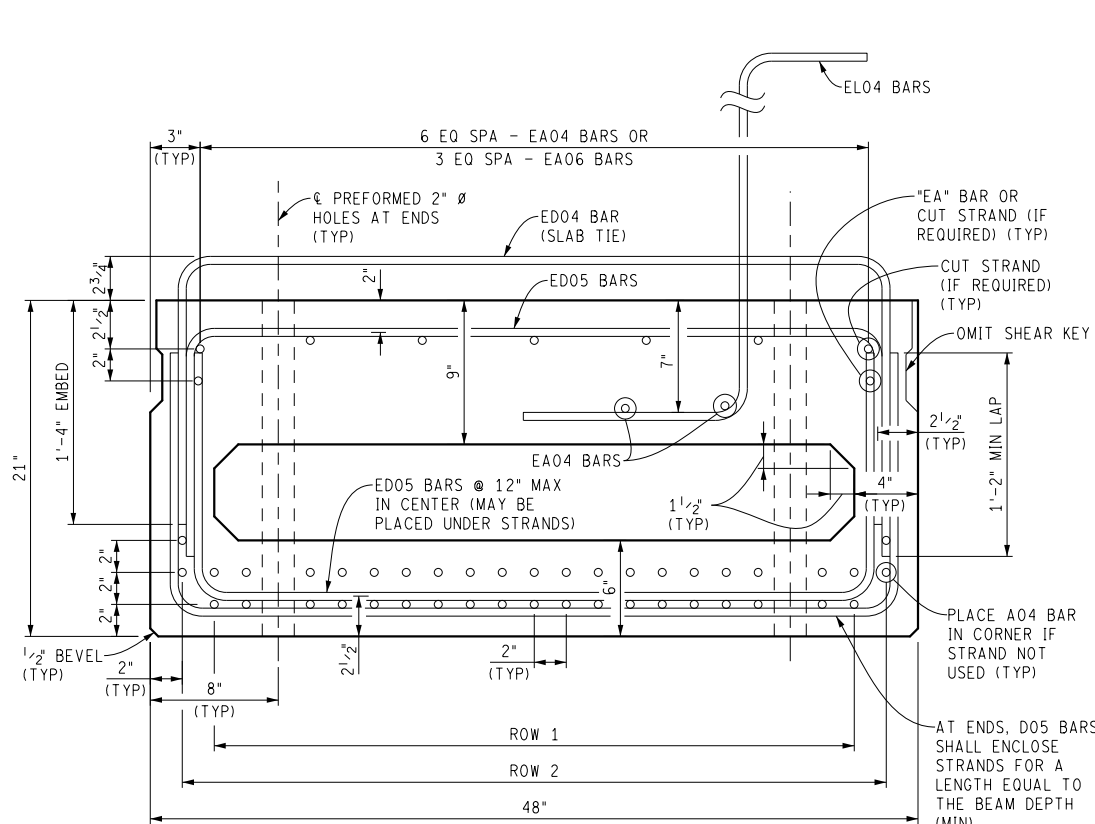


27" X 48" OR 33" X 48" BEAM (INTERIOR)

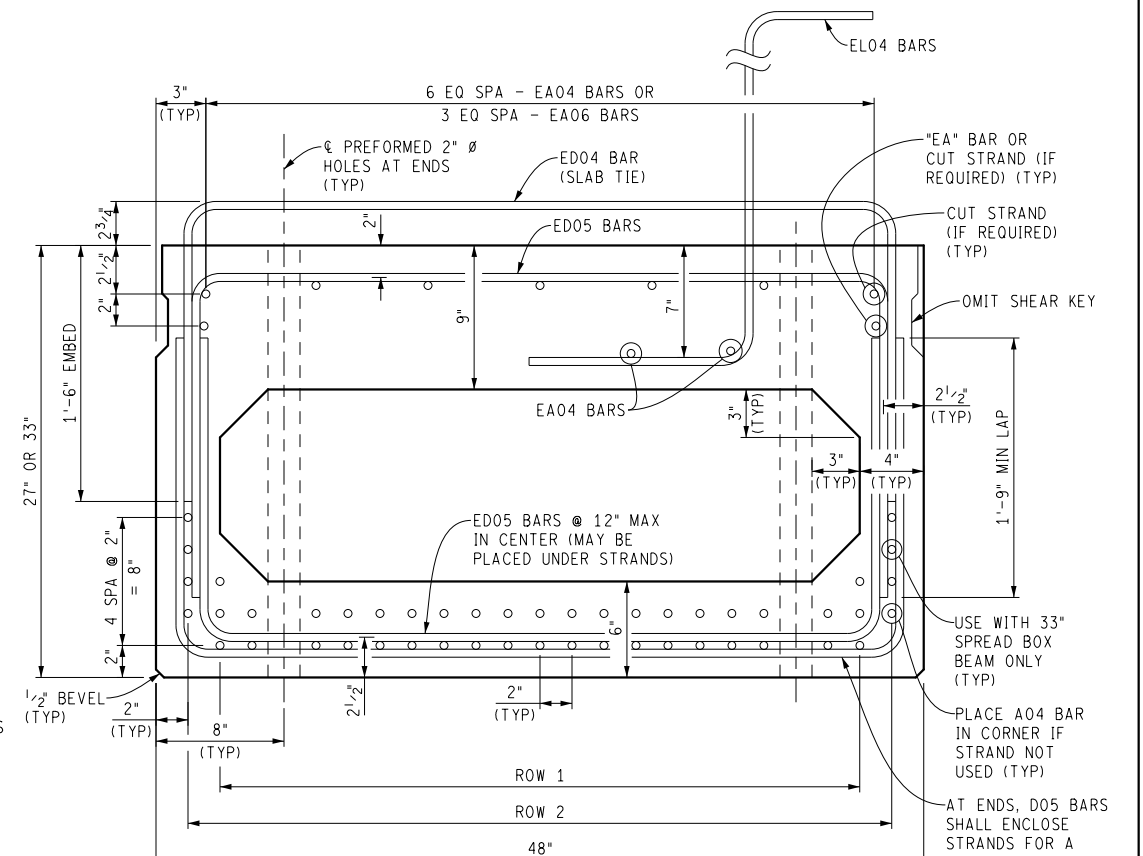


17" X 36" BEAM (FASCIA)

* ED05 BARS @ 12" MAX IN CENTER (MAY BE PLACED UNDER STRANDS)



21" X 48" BEAM (FASCIA)



27" X 48" OR 33" X 48" BEAM (FASCIA)

NOTES:

SEE DEBONDING TABLE ON DWG "SSBB 005" FOR STRAND INFORMATION.

FINAL ROW PLAN REVISIONS (SUBMITTAL DATE:)							
NO.	DATE	AUTH	DESCRIPTION	NO.	DATE	AUTH	DESCRIPTION

NO SCALE

DATE: 05/09/18
DESIGN UNIT:
TSC:
FILE: prest_SBS_003.dgn

CS:
JN:

PRESTRESSED BEAM DETAILS
SIDE BY SIDE BOX BEAM

DRAWING	SHEET
SSBB	SECT
003	