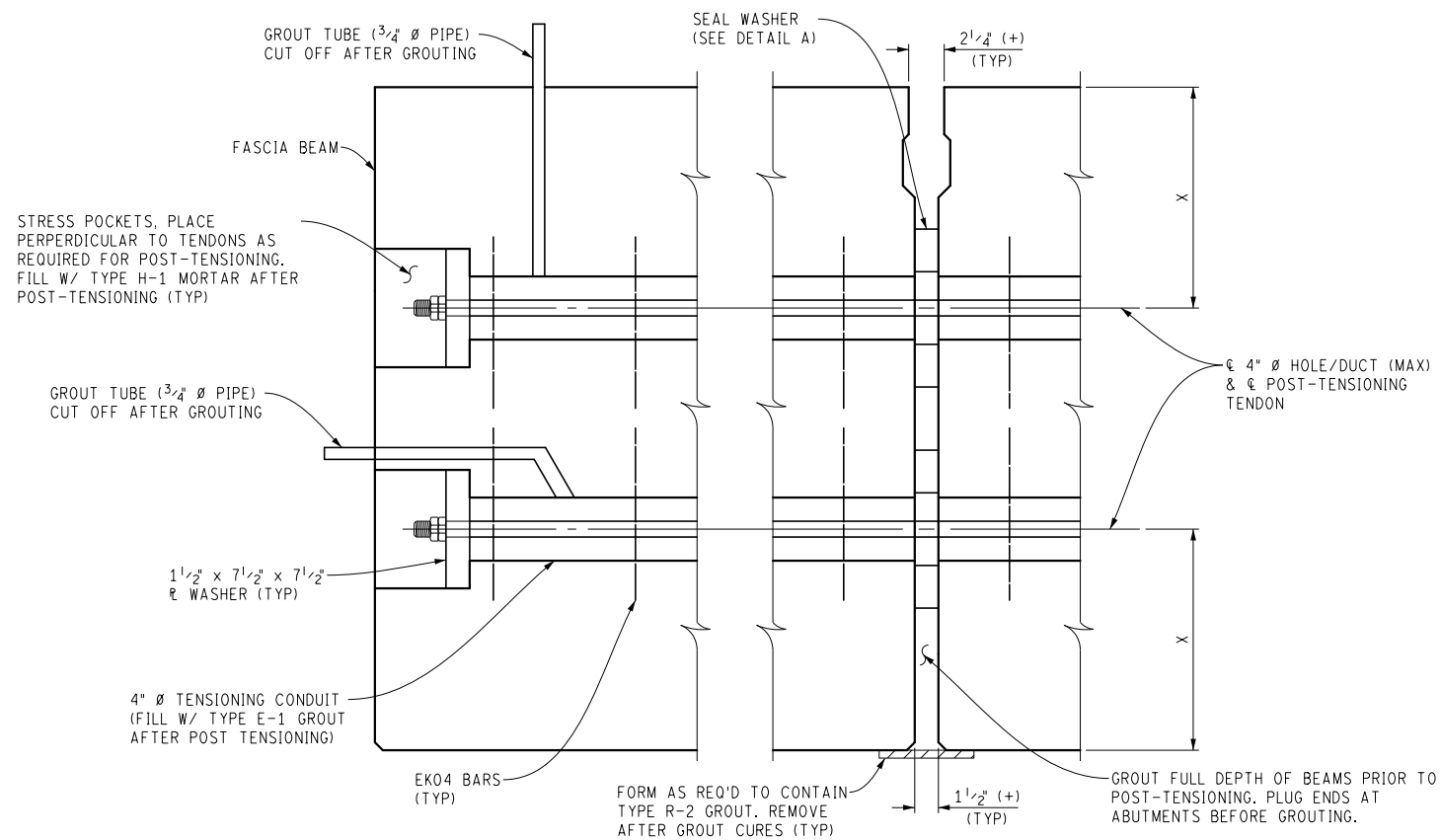


POST-TENSIONING DETAIL

NOTE: STRESS POCKETS, ANCHOR PLATES AND TENDON COUPLERS SHALL BE AS REQUIRED FOR THE POST-TENSIONING SYSTEM PROVIDED. (USE FOR 17", 21" & 27" DEEP BEAMS)



POST-TENSIONING DETAIL

NOTE: STRESS POCKETS, ANCHOR PLATES AND TENDON COUPLERS SHALL BE AS REQUIRED FOR THE POST-TENSIONING SYSTEM PROVIDED. (USE FOR 33" & 39" DEEP BEAMS)

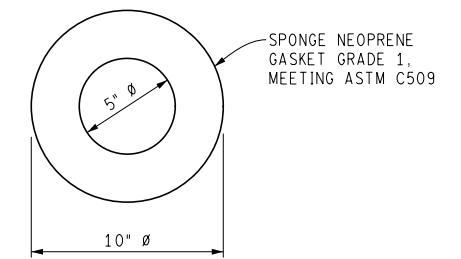
BEAM SPAN (ϕ BRG- ϕ BRG) (FT)	BEAM DIMENSIONS		STRAND/DEBONDING LAYOUT TABLE					
			NO. OF STRANDS					
	D (in)	W (in)	1ST LAYER, 2" FROM BOTTOM	2ND LAYER, 4" FROM BOTTOM	3RD LAYER, 6" FROM BOTTOM	TOTAL NO. OF STRANDS	NO. OF DEBONDING STRANDS	NO. OF DEBONDING STRANDS-(1st LAYER) DEBONDING LENGTHS (ft)
20	17	36	7	-	-	7	-	-
30	17	36	7	-	-	7	-	-
40	17	36	9	-	-	9	-	-
50	17	36	13	3	-	16	2	(2)2
60	21	48	20	-	-	20	2	(2)2
70	21	48	19	11	-	30	6	(2)2, (4)4
80	27	48	19	9	-	28	2	(2)2
90	27	48	19	17	-	36	6	(2)2, (2)4, (2)10
100	33	48	19	15	-	34	4	(2)2, (2)4
110	39	48	19	15	-	34	2	(2)4

THIS TABLE IS FOR INFORMATION ONLY AND SHOULD NOT BE INCLUDED ON THE FINAL DESIGN DRAWINGS

STRAND DEBONDING LENGTH IS MEASURED FROM EACH BEAM END

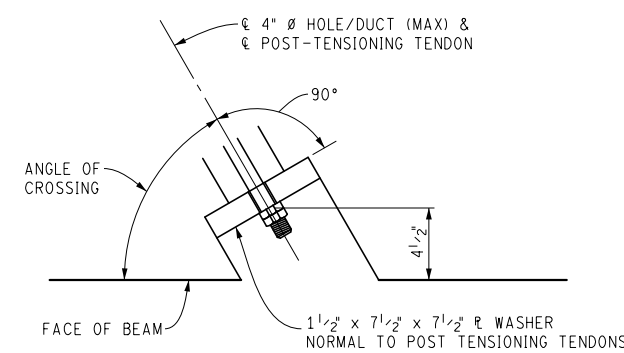
DIMENSION TABLE	
BEAM DEPTH (in)	"X"
17	8 1/2"
21	10 1/2"
27	1'-1 1/2"
33	11"
39	1'-1"

THIS TABLE IS FOR INFORMATION ONLY AND SHOULD NOT BE INCLUDED ON THE FINAL DESIGN DRAWINGS

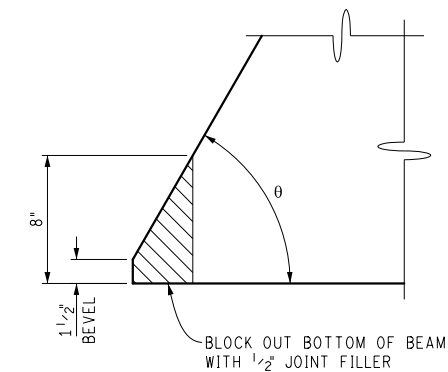


DETAIL A

2 1/2" THICK SEAL WASHER



TOP VIEW STRESS POCKET



CORNER BLOCKING DETAIL

USE WHEN $\theta < 70^\circ$

FINAL ROW PLAN REVISIONS (SUBMITTAL DATE:)								NO SCALE	DATE: 05/09/18	CS:	PRESTRESSED BEAM DETAILS		DRAWING	SHEET
NO.	DATE	AUTH	DESCRIPTION	NO.	DATE	AUTH	DESCRIPTION				SSBB	SECT		
								FILE: prest_SBS_005.dgn	DESIGN UNIT:	JN:	SIDE BY SIDE BOX BEAM		005	