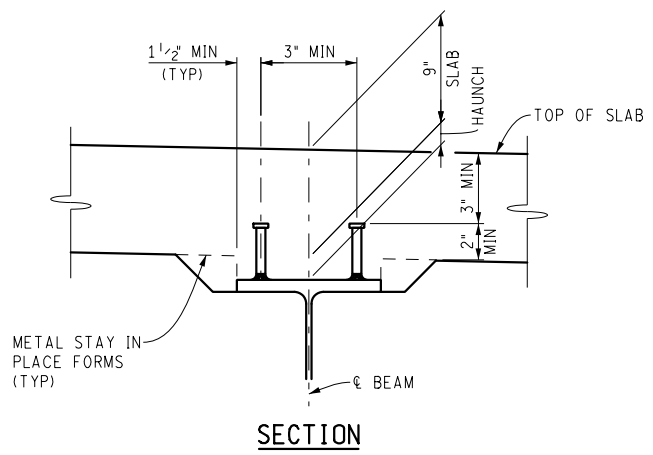


BEAM ELEVATION

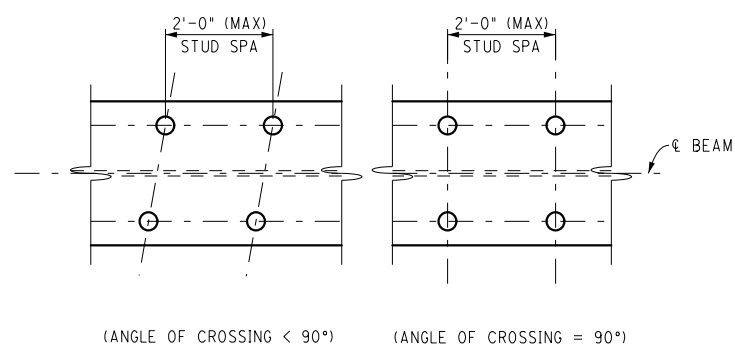
** FOR 30', 40' OR 50' SPANS
 *** FOR 60' SPAN

BEAM DIMENSION TABLE								
BEAM SPAN (€ BRG-€ BRG)	BEAM TYPE	a	b	c	d	e	f	W
20'	W21 x 93	11	20'-2"	2	7 1/2"	1'-3"	7"	21'-2"
30'	W21 x 93	16	30'-2"	2	7 1/2"	1'-3"	7"	31'-2"
40'	W24 x 117	21	40'-3"	2	9"	1'-6"	7 1/2"	41'-3"
50'	W30 x 173	26	50'-5"	2	12"	2'-0"	8 1/2"	51'-5"
60'	W36 x 170	31	60'-5"	3	10"	2'-6"	8 1/2"	61'-5"

THIS TABLE IS FOR INFORMATION ONLY AND SHOULD NOT BE INCLUDED ON THE FINAL DESIGN DRAWINGS

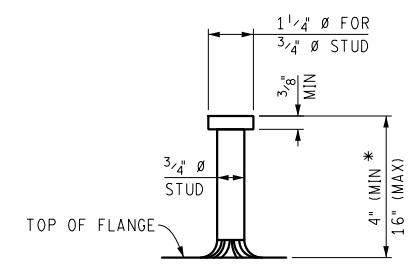


SECTION



PLAN

ROWS OF STUDS SHALL BE SET PARALLEL TO TRANSVERSE REINFORCEMENT.



DETAIL OF STUD

* INCREASE LENGTH OF STUD AS NEEDED TO MAINTAIN 2" MINIMUM PENETRATION OF STUD INTO DECK SLAB. (1" INCREMENTS)

SHEAR STUD DEVELOPER DETAILS

FINAL ROW PLAN REVISIONS (SUBMITTAL DATE:)								NO SCALE	DATE: 05/09/18		CS:		STRUCTURAL STEEL DETAILS		DRAWING	SHEET
NO.	DATE	AUTH	DESCRIPTION	NO.	DATE	AUTH	DESCRIPTION		DESIGN UNIT:	JN:	ROLLED STEEL BEAM		STEEL	SECT		
									FILE: steel_002.dgn	TSC:					002	