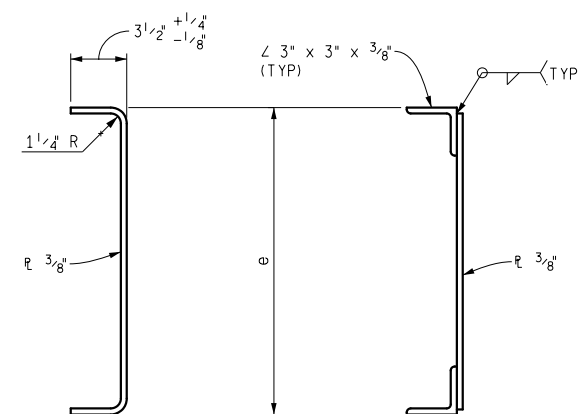


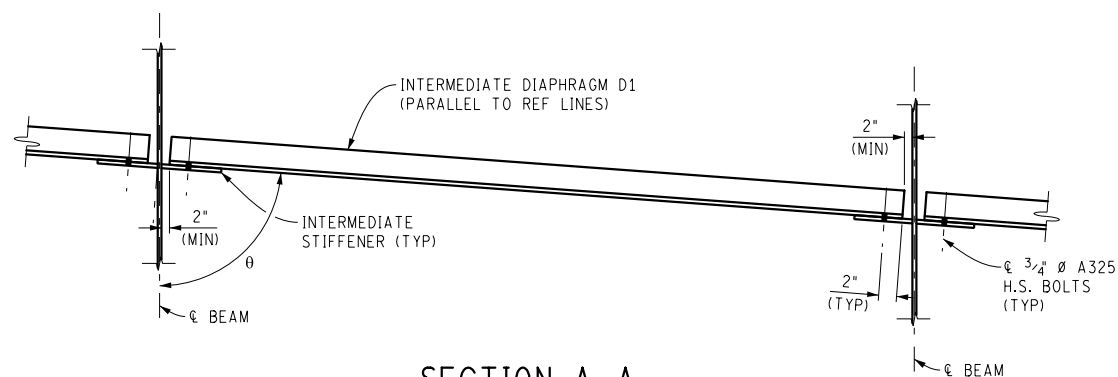
**INTERMEDIATE DIAPHRAGM D1 ELEVATION**

\* "a" SHALL BE DETERMINED BASED ON ACTUAL BRIDGE SKEW



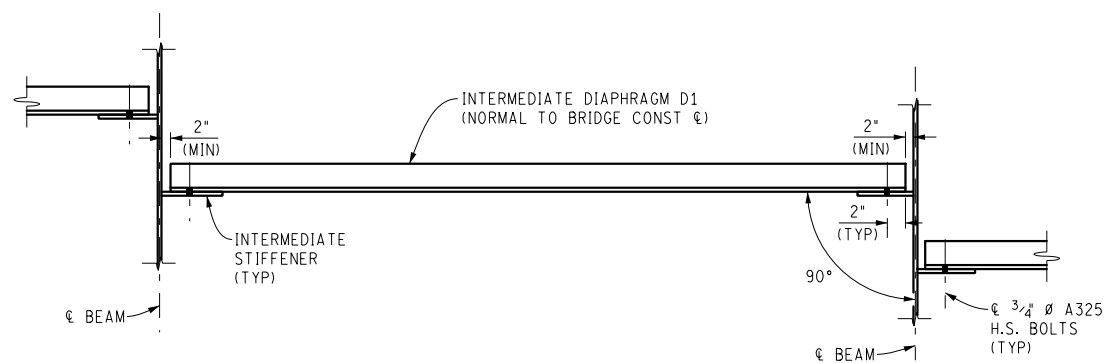
**ALTERNATE**

**TYPICAL INTERMEDIATE DIAPHRAGM**



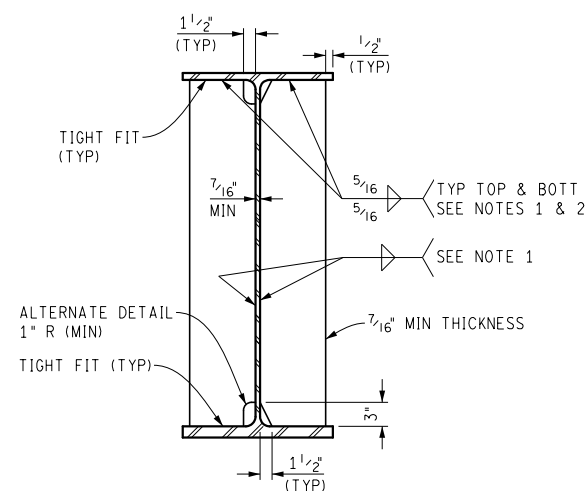
**SECTION A-A**

FOR ANGLE OF CROSSING 70° TO 90°



**SECTION A-A**

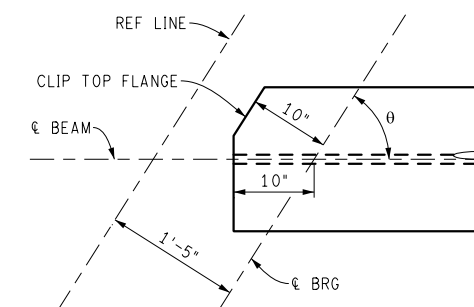
FOR ANGLE OF CROSSING < 70°



**INTERMEDIATE TRANSVERSE STIFFENER DETAIL @ CROSSFRAME**

BOLT HOLES NOT SHOWN FOR CLARITY

NOTE 1: STOP WELD 1/4" SHORT OF CORNER CLIPS  
NOTE 2: WRAP WELD AROUND OUTSIDE EDGE



**TOP FLANGE CLIP DETAIL**

BASED ON ABUTMENT AND BEARING GEOMETRY

DIAPHRAGM DIMENSION TABLE					
BEAM SPAN (E BRG TO E BRG) (FT)	BEAM TYPE	b	c	d	e
20	W21 x 93	-	-	-	-
30	W21 x 93	2	2"	4"	10"
40	W24 x 117	3	2"	6"	12"
50	W30 x 173	4	3"	12"	18"
60	W36 x 170	6	3"	18"	24"

THIS TABLE IS FOR INFORMATION ONLY  
AND SHOULD NOT BE INCLUDED ON THE  
FINAL DESIGN DRAWINGS

FINAL ROW PLAN REVISIONS (SUBMITTAL DATE: )								<b>NO SCALE</b>	DATE: 05/09/18	CS:	STRUCTURAL STEEL DETAILS		DRAWING	SHEET
NO.	DATE	AUTH	DESCRIPTION	NO.	DATE	AUTH	DESCRIPTION		DESIGN UNIT:	JN:	ROLLED STEEL BEAM		STEEL	SECT
									TSC:				003	