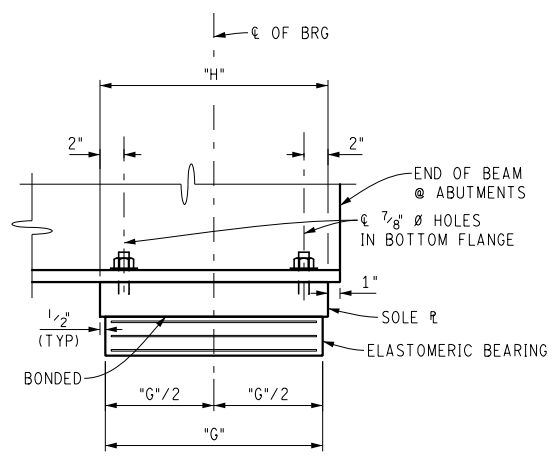
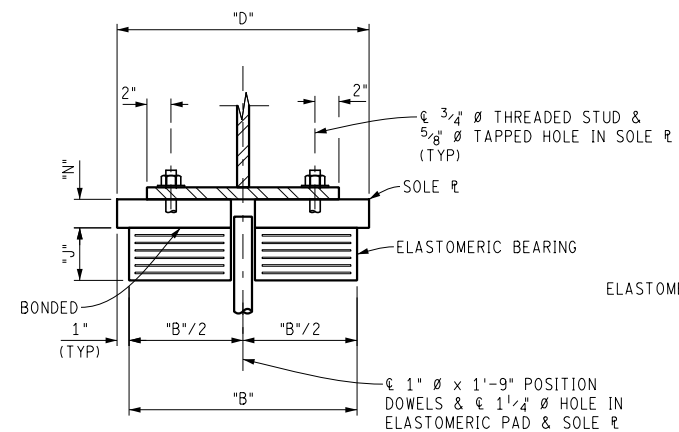


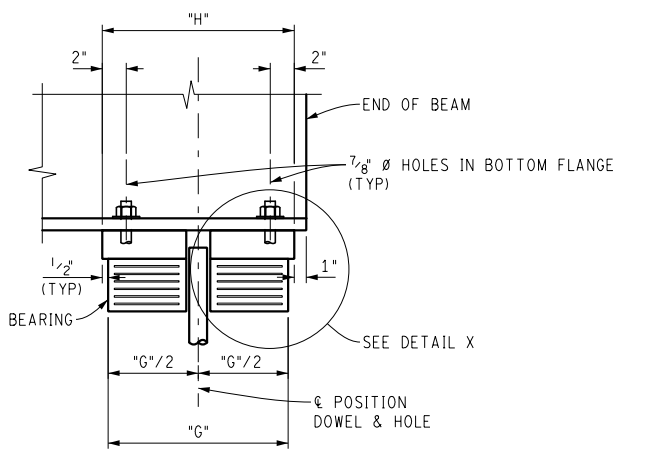
ELASTOMERIC EXPANSION BEARING
END VIEW



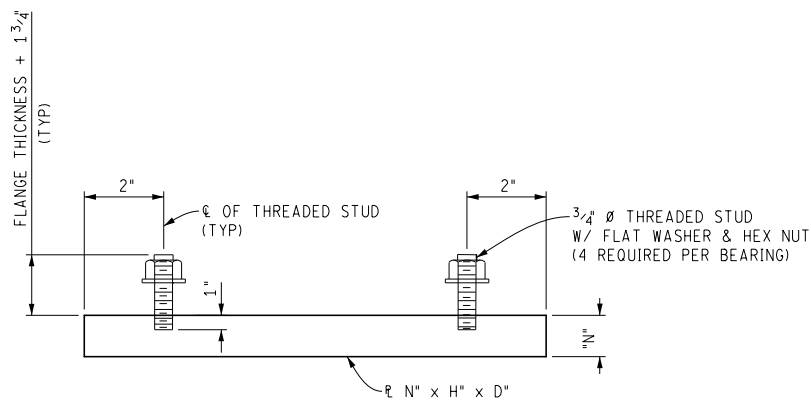
ELASTOMERIC EXPANSION BEARING
SIDE VIEW



END VIEW



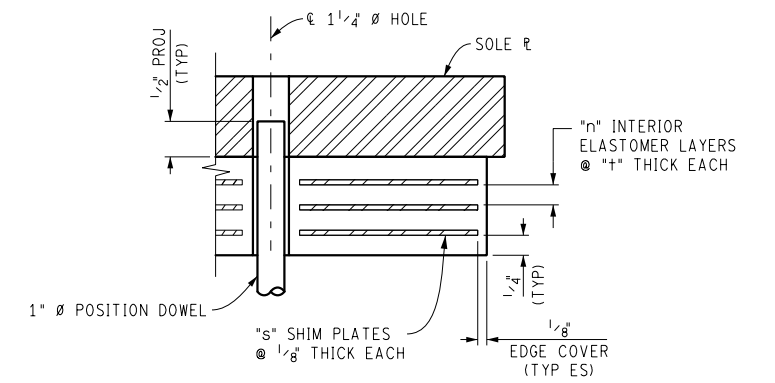
SIDE VIEW



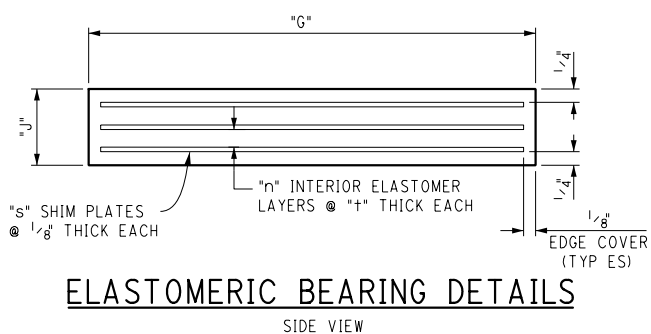
SOLE PLATE DETAILS
SIDE VIEW

BEARING ASSEMBLY DIMENSIONS												
BEAM SPAN (€ BRG - € BRG) (FT)	BEAM SIZE	B	D	E	G	H	J	s	n	t	L	N
20	W21 x 93	8"	10"	7 1/4"	11"	12"	1"	0	0	0"	3"	1 1/2"
30	W21 x 93	8"	10"	7 1/4"	11"	12"	1"	0	0	0"	3"	1 1/2"
40	W24 x 117	15"	17"	10 3/4"	12"	13"	2 3/8"	3	2	3/4"	4 7/8"	2"
50	W30 x 173	15"	17"	10 3/4"	14"	15"	2 3/8"	3	2	3/4"	4 7/8"	2"
60	W36 x 170	15"	17"	10 3/4"	14"	15"	2 3/8"	3	2	3/4"	4 7/8"	2"

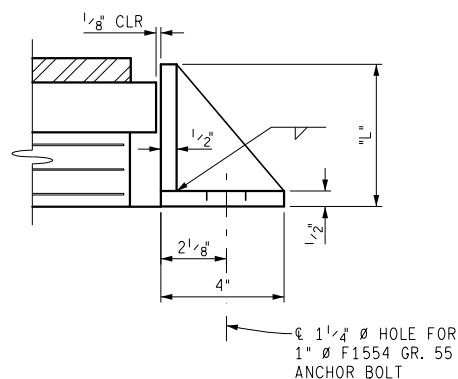
THIS TABLE IS FOR INFORMATION ONLY AND SHOULD NOT BE INCLUDED ON THE FINAL DESIGN DRAWINGS



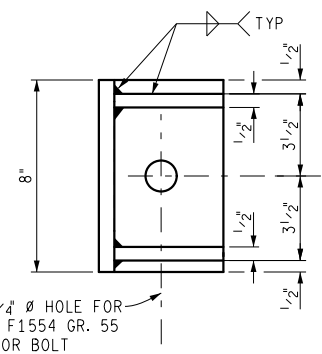
DETAIL X
ELASTOMERIC BEARING DETAILS - FIXED



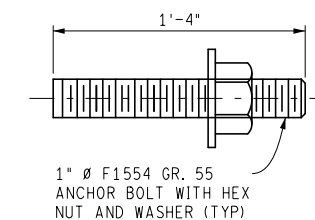
ELASTOMERIC BEARING DETAILS
SIDE VIEW



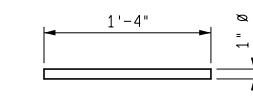
ELEVATION
SIDE RETAINER



PLAN



ANCHOR BOLT DETAIL



POSITION DOWEL DETAIL

FOR INFORMATION ONLY:

FOR SINGLE SPAN STRUCTURES 25'-0" OR LESS IN LENGTH, ALLOWANCE FOR EXPANSION IS NOT REQUIRED IN THE DESIGN OF THE ELASTOMERIC BEARING PADS.
ELASTOMERIC BEARINGS FOR BEAM SPANS 20' AND 30' ARE PLAIN PADS WITH NO SHIMS PLATES.
SOLE PLATES ARE TO BE BEVELED WHEN THE CALCULATED BEVEL IS GREATER THAN 0.5%.
THE ABOVE NOTES ARE FOR INFORMATION ONLY AND SHOULD NOT BE INCLUDED ON THIS SHEET.

NOTES:

ES DENOTES EACH SIDE.
USE NON-DEFORMED STEEL RODS IN ACCORDANCE WITH AASHTO M 270 GRADE 36 AND HOT-DIP GALVANIZED IN ACCORDANCE WITH AASHTO M 111, AS POSITION DOWELS FOR PRECAST BEAMS.
STEEL FOR SOLE PLATES AND OTHER BEARING COMPONENTS SHALL MEET THE REQUIREMENTS OF AASHTO M 270 GRADE 36.
ANCHOR BOLT LENGTHS SHOWN ARE MINIMUM. BOLTS LONGER THAN THAT SHOWN MAY BE FURNISHED AT NO ADDITIONAL COST. ANCHOR BOLTS AND POSITION DOWELS SHALL BE GALVANIZED ACCORDING TO MDT STANDARD SPECIFICATION 707.03.C.16.
ANCHOR BOLTS SHALL CONFORM TO SECTION 908.15.
ANCHOR BOLTS SHALL BE INSTALLED AFTER BEAMS ARE ERECTED IN PLACE.

FINAL ROW PLAN REVISIONS (SUBMITTAL DATE:)						NO SCALE	DATE: 05/09/18	CS:	ROLLED STEEL BEAM BEARING DETAILS	DRAWING	SHEET		
NO.	DATE	AUTH	DESCRIPTION	NO.	DATE							AUTH	DESCRIPTION

FILE: steel_005.dgn

DESIGN UNIT:

TSC:

JN:

BRG SECT

003