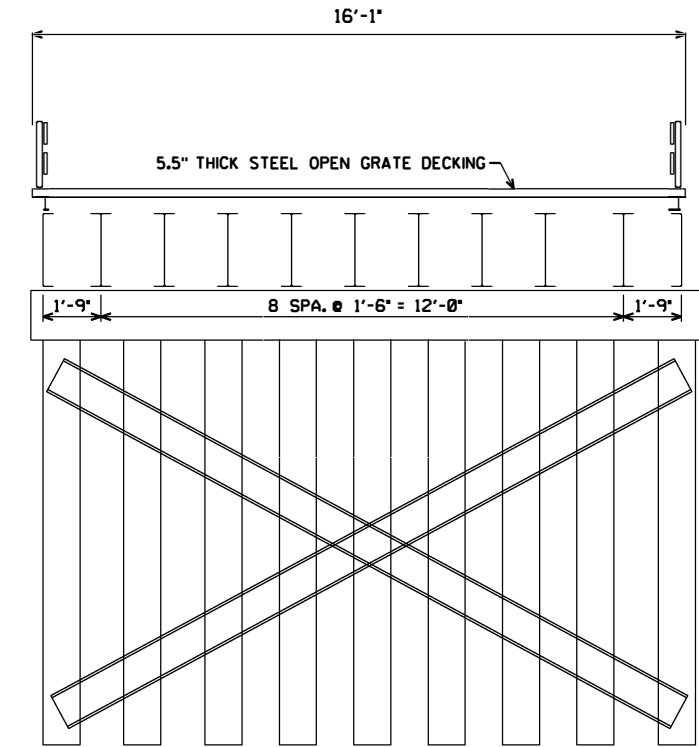
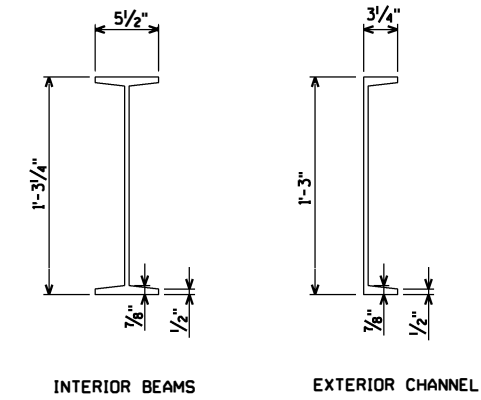


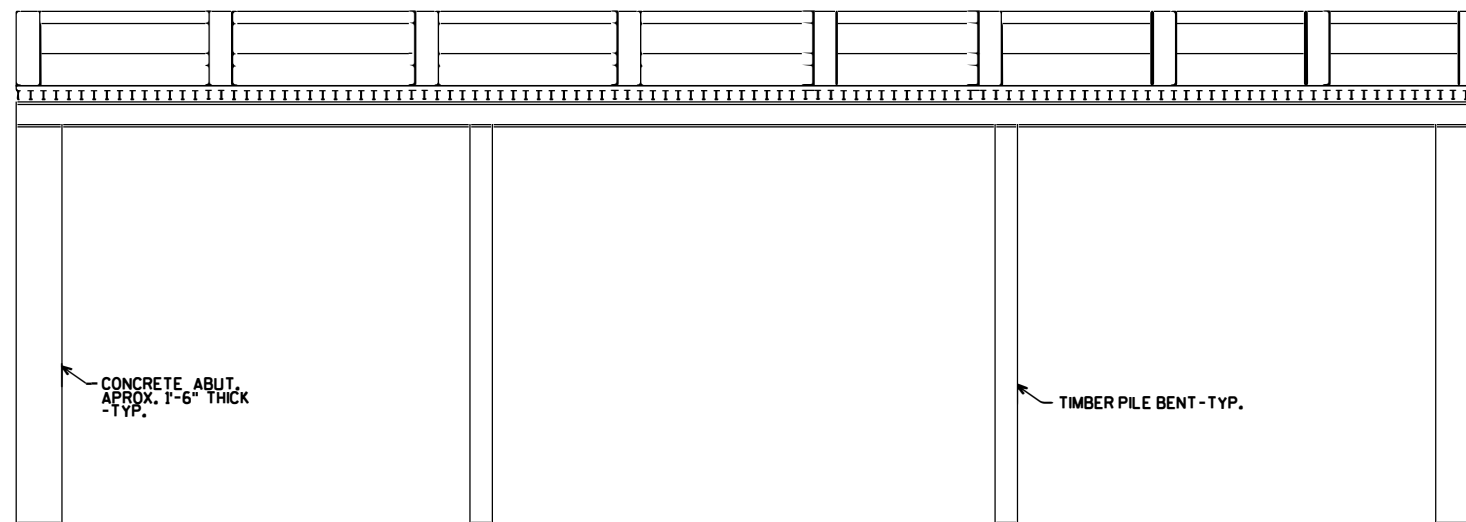
PLAN



TYPICAL SECTION THRU BRIDGE



DETAILS



ELEVATION

LIST OF DRAWINGS

- 1. GENERAL PLAN

NO.	DATE	REVISION	BY
ORIGINAL PLANS PREPARED BY			
AYRES 3433 Oakwood Hills Parkway Eau Claire, WI 54701 www.AyresAssociates.com			
STRUCTURE 1648			
12 MILE ROAD OVER CHARLOTTE RIVER			
COUNTY: CHIPPEWA			
DESIGNED BY:	DESIGN CK'D.	DRAWN BY:	PLANS CK'D.
		ZSS	
GENERAL PLAN			SHEET 1 OF 1